

Bimetal Thermometers TB 32 Ø 34,5

Application	Temperature measurements in liquids and fixed machine parts when there is a slow change of temperature
Temperature range	0 ... 250°C
Accuracy	± 1% of the full scale
Dial	Aluminium, brush finished, graduations black For graduation marking and layout see T0.305
Pointer	Steel, black
Window	Normal glass held in by spring ring
Protection	IP 50 as in DIN 40 050



Selection chart

System design	Standard	TB xx / xxx.xxx
Nominal size		
6 Kt SW 32		32
Case		
Nickel-plated brass		8
Structural shape		
Direct mounting		1
Immersion tube outlet		
Center back		2
Indicator		
Standard		1
Immersion tube / diameter / material		
8 mm, G ¹ / ₄ , Cu-alloy nickel-plated (standard)		5
Immersion tube / installed length l		
35 mm		1

Range

Order number	Range °C
20 T	0 ... 120
21 T	0 ... 150
22 T	0 ... 200
14 T	0 ... 250

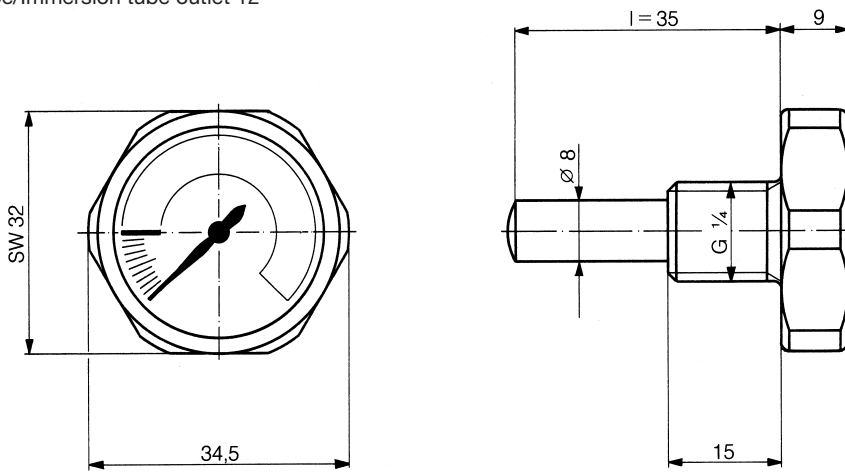
**BOURDON
HAENNI**

made to measure



Dimensions

Direct mounting center back
Structural shape/Immersion tube outlet 12



Weight ca. 45 g

UK/2003-01-01 This data sheet may only be reproduced in full.