

CombiTemp Accessories

Accessories for CombiTemp
- the flexible building block system
for temperature measurements

**Housings, standard DIN B and
Bourdon-Haenni ø80 mm stainless steel**

Brackets for wall mounting

Brackets for pipe mounting

Glands

Adaptors

Clamp rings

Cooling neck

CombiConnect hygienic replaceable connections

Transmitters, refer to specific data sheets

Displays, refer to specific data sheets



Description

CombiTemp comprises a series of basic elements which can be combined to a wide range of temperature sensors and transmitters based on Pt100 elements.

All parts of the system can be replaced or relocated by the user.

Including also a range of configurable displays and transmitters the CombiTemp system offers the highest possible flexibility within temperature measurements.

Most temperature sensors/transmitters can be ordered on one type number.

Special accessories and some standard parts are available on separate type numbers found in this data sheet.

CombiConnect is a series of hygienic, replaceable connections for CombiTemp Pt100 sensor.

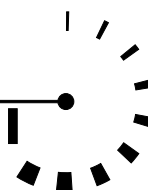
The products comply with the strict demands from the food industry (EHEDG).

It takes less than 2 minutes to mount the Pt100 sensor on the hygienic CombiConnect connection.

CombiConnect also fits the G1/2A male nipple versions of FlexBar HRT and henceforth it is the ideal choice for customers measuring temperature and pressure in environments with several different connections.

**BOURDON
HAENNI**

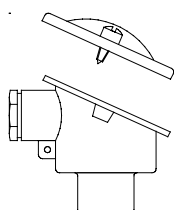
made to measure



Accessories

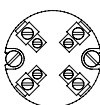
81 43-120

DIN B head (DIN 43729).
Metal Alloy, lacquered grey,
with M20 gland, incl. cover.



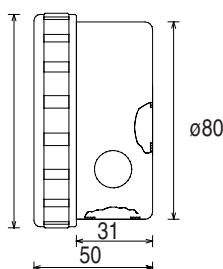
81 47-198

Terminal block
Ceramic



81 43-110

ø80 mm Housing
Stainless steel (AISI 304).
IP 65 with cover or display.
Vibrations: DNV 2.4 Class B.
3 holes ø16 for gland, sensor,
blind plug, etc.
(incl. 1 off 81 43-130)
Valid for 3A applications.



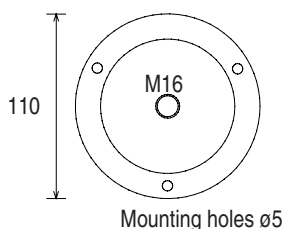
81 43-112

Cover ø86 for ø80 mm housing
Stainless steel (AISI 304) with
gasket of Nitril (NBR) 65° shore.



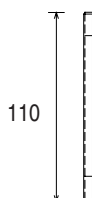
81 43-128

Wall bracket ø110 mm
for ø80 mm housing.
Stainless steel (AISI 304).
Incl. fixing nipple and O-ring.



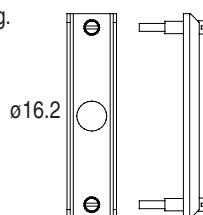
21 20-020

Cover ring ø110 mm.
For panel mounting of ø80 mm housing.
Stainless steel (AISI 304).



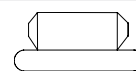
9000 0014

Electroplated bracket for panel mounting
of ø80 mm housing.
Including screws, blind plug, nut and O-ring.



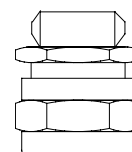
81 43-130

Plug for ø80 mm housing.
Nickel-plated brass, IP 65.



81 43-147

Gland M16
Nickel-plated brass, IP 68.
Cable diameter 3...9 mm

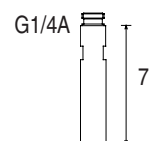


81 43-146

Gland M20
Nickel-plated brass, IP 65.
Cable diameter 8...15 mm

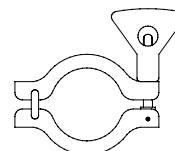
81 43-122

Cooling neck
Length 71 mm.
Stainless steel (AISI 304).



81 26-901

Clamp ring, ISO 2852, DN38/PN64



81 26-902

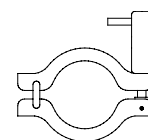
Clamp ring, ISO 2852, DN51/PN10

81 26-903

Clamp ring, ISO 2852, DN51/PN64

81 26-904

Clamp ring for flange, DIN 2527, DN38/PN64
(incl. spec. nut)

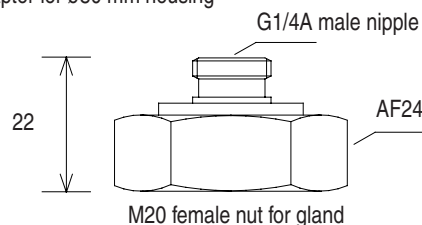


81 26-906

Clamp ring 1/2" - 3/4" for Tri-Clover®

81 43-142

M20 adaptor for ø80 mm housing
[mm]



Accessories

81 43-132

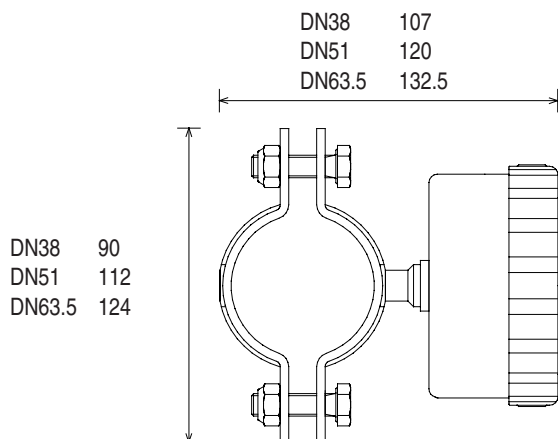
Bracket for mounting of $\varnothing 80$ mm housing on a DN38 pipe

81 43-133

Bracket for mounting of $\varnothing 80$ mm housing on a DN51 pipe

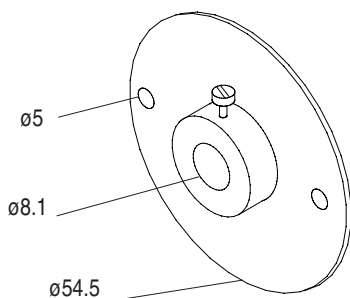
81 43-134

Bracket for mounting of $\varnothing 80$ mm housing on a DN63.5 pipe



21 20-047

Flange for mounting of $\varnothing 8$ mm sensor tube in a ventilation duct.



19 74-054

Heat conducting paste, 50 gr. Max. 260°C.

19 74-104

Lubricator for 3A/DN38 O-rings

Klüber Lubrication, Paraliq GTE703, 60 gram

Approval USDA H1 for use in the food industry.

WARNING: Bourdon-Haenni takes no responsibility for compatibility problems for O-ring, lubricator and media.

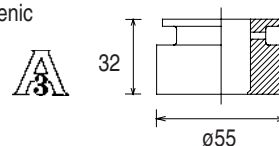
We advise you to make a complete test of the connection with the chosen O-ring against the media and the lubricator in the full temperature range before including the setup in your production line.

Disposal of product and packing

According to national laws or by returning to Bourdon-Haenni

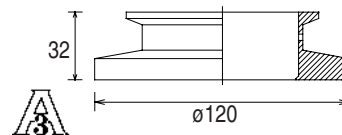
81 26-916

Welding part, 3A/DN38, hygienic



81 26-919

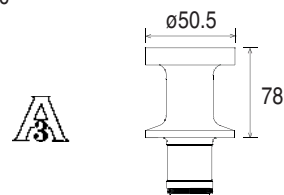
Welding part, 3A/DN76, hygienic



81 26-938

Blind plug, 3A/DN38, hygienic

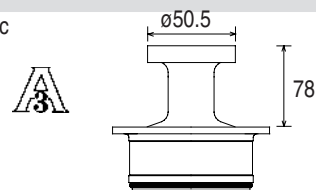
O-ring, EPDM included



81 26-939

Blind plug, 3A/DN76, hygienic

O-ring, EPDM included



81 43-150

Adaptor with M12 gland for mounting of a cable sensor in an empty sensor tube. Stainless steel (AISI 304) with gasket of Nitril (NBR) 65° shore.



CombiConnect Hygienic Replaceable Connections

Description

CombiConnect is a series of hygienic, replaceable connections in acid-proof stainless steel. The concept fits the G1/2A male nipple versions of the CombiTemp Pt100 sensor and the FlexBar HRT/FlexBar 3431 pressure transmitters.

The products comply with the strict demands from the food industry, represented by organisations such as 3A, FDA and EHEDG.

It takes less than 2 minutes to mount the pressure transmitter or Pt100 sensor on the CombiConnect connection.

CombiConnect is an entirely new concept offering high flexibility and a low stock. The connection system is the ideal choice for customers measuring temperature and pressure in environments with several different connections.

Connection variants

DS 722:	Dansk Standard
DIN 11851:	Deutsches Institut für Normung
SMS 1145:	Sveriges Mekanförbunds Standardcentral
BS 4825 (RJT):	British Standard
ISO 2853 (IDF) and ISO 2852 (Clamp):	International Standardisation Organisation
Varivent and Tri-Clover®:	Company Standards



CombiConnect Technical Data

Design

Acid-proof stainless steel, (W1.4404/AISI 316L).

Complies with the national standards DS 722, DIN 11851, SMS 1145, BS 4825, ISO 2852 and ISO 2853.

Manufactured according to the relevant standards and guidelines from 3A, FDA, EHEDG and EN1672-2

Pressure range -1...25 bar

Vibrations Lloyds Register, test 2

Disposal of product and packing

According to national laws or by returning to Bourdon-Haenni

Hygienic Installations

Measures to be taken at hygienic mounting according to "European Hygienic Engineering Design Group"

1. Avoid blind pockets when connecting two pipe ends.
2. The gasket between male nipple and female nut must be levelled with the surface.
3. All parts must be centered in respect to each other.
4. Avoid blind pockets where media and cleaning materials can be accumulated.

Ordering Details - CombiConnect

			8120	9xxx
Type			6' digit	
Complete connection, incl. special O-ring (NBR) and gasket. Incl. union ring if relevant.			1	
Welding part, incl. gasket and union ring if relevant.			2	
Connection			7+8' digit	
Tuchenhagen GEA, Varivent, DN40/DN50, Note {4}			01	
Connection			7+8' digit	
DS 722	DN40	Rotating female nut	12	
DS 722	DN40	Male nipple	13	
DS 722	DN50	Rotating female nut	14	
DS 722	DN50	Male nipple	15	
Connection			7+8' digit	
DIN 11851	DN25	Rotating female nut	20	
DIN 11851	DN25	Male nipple	21	
DIN 11851	DN40	Rotating female nut	22	
DIN 11851	DN40	Male nipple	23	
DIN 11851	DN50	Rotating female nut	24	
DIN 11851	DN50	Male nipple	25	
Connection			7+8' digit	
SMS 1145	DN38	Rotating female nut	32	
SMS 1145	DN38	Male nipple	33	
SMS 1145	DN51	Rotating female nut	34	
SMS 1145	DN51	Male nipple	35	
Connection			7+8' digit	
BS 4825	DN38	Rotating female nut	42	
BS 4825	DN38	Male nipple	43	
BS 4825	DN51	Rotating female nut	44	
BS 4825	DN51	Male nipple	45	
Connection			7+8' digit	
ISO 2853	DN38	Rotating female nut	52	
ISO 2853	DN38	Male nipple	53	
ISO 2853	DN51	Rotating female nut	54	
ISO 2853	DN51	Male nipple	55	
Connection			7+8' digit	
ISO 2852	DN38	Clamp	6B	
ISO 2852	DN51	Clamp	6C	
Connection			7+8' digit	
TriClover®	3"	Clamp	7U	

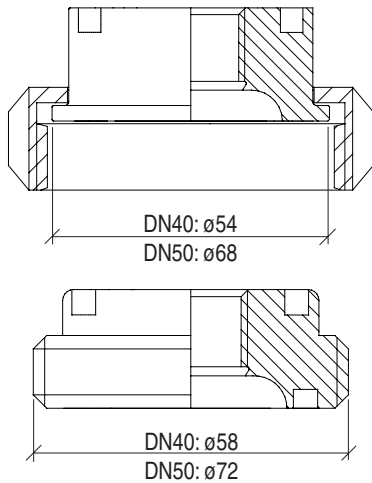
CombiConnect Accessories

CombiConnect O-Rings

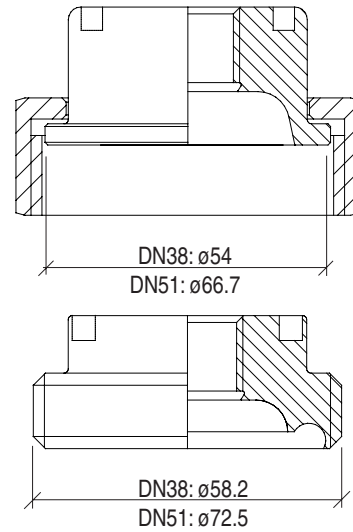
81 26-955	Type no.	O-ring	Range	Notes
Mounting tool for O-ring DIN 11851, DN25	81 26-965 (5 pcs.)	Nitrile (NBR)	-30...100°C	{1}, {2}
	81 26-966 (5 pcs.)	Ethylene-propylene (EPDM)	-30...150°C	{1}, {3}
	81 26-967 (5 pcs.)	Fluorocarbon (FPM)	-20...200°C	{1}, {3}
81 26-956	Notes			
Mounting tool for O-ring DIN 11851, DN40/50 BS 4825, DN38/51	{1} Complies with the demands from FDA			
	{2} Change recommended after 50 CIP cleanings at 130°C			
	{3} 3A approval			
81 26-957	{4} Tuchenhagen GEA welding part is not available.			
Mounting tool for O-ring ISO 2853 and clamp, DN38/51 SMS 1145, DN38/51				

CombiConnect Connection Variants

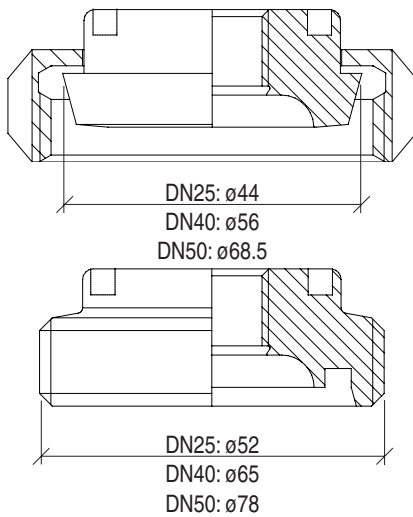
DS 722, Type no. 8120 911x



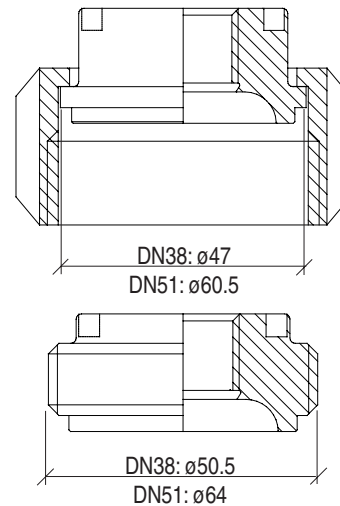
BS 4825 (RJT), Type no. 8120 914x



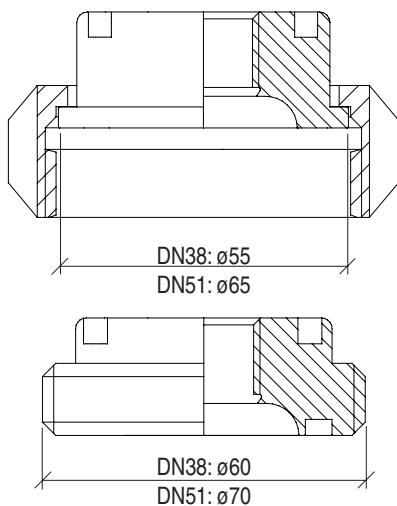
DIN 11851, Type no.8120 912x



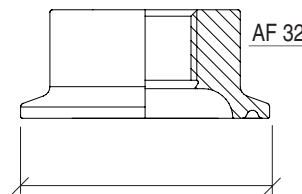
ISO 2853 (IDF), Type no. 8120 915x



SMS 1145, Type no. 8120 913x



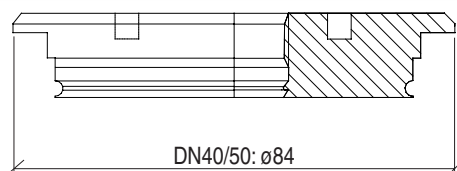
Clamp, Type no. 8120 91xx



Clamp ISO 2852	DN38: ø50.5	Type no. 8120 916B
Clamp ISO 2852	DN51: ø64	Type no. 8120 916C
Tri-Clover® 3"	ø90.9	Type no. 8120 917U

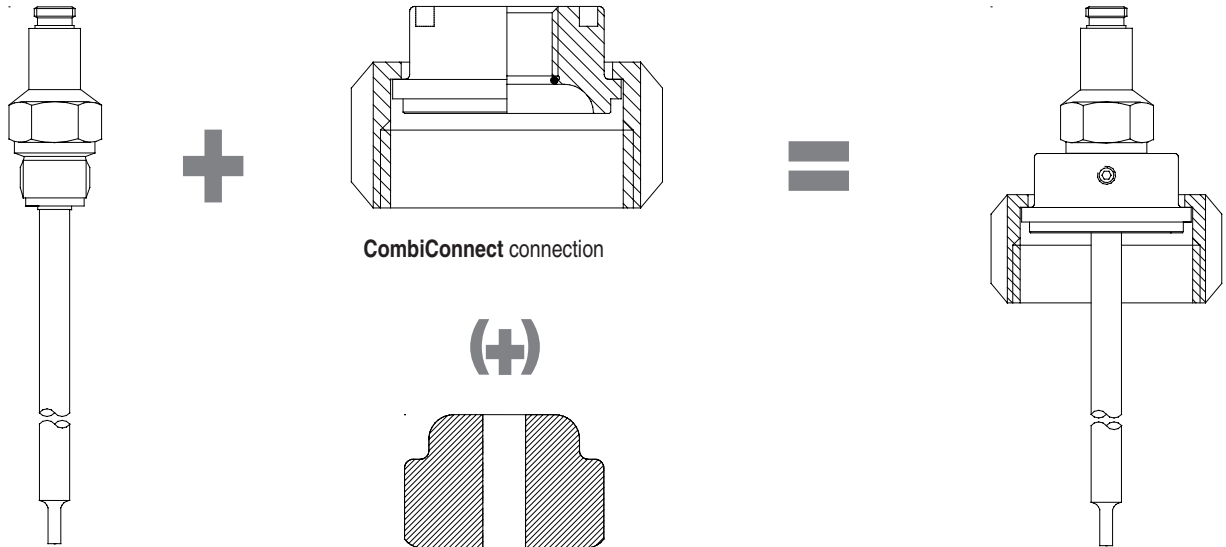
Note: All CombiConnect connections except the Clamp connection have two ø4.5 holes fitting a standard AMF 44511 key (40 mm).

GEA Tuchenhagen Varivent, Type no. 8120 9101



[mm]

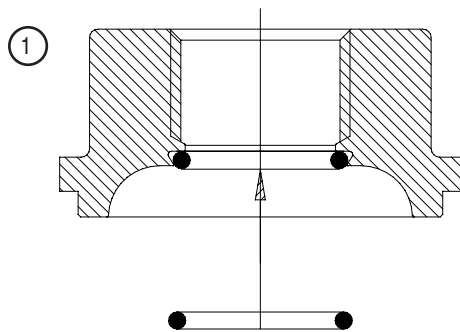
CombiConnect - Mounting Instructions



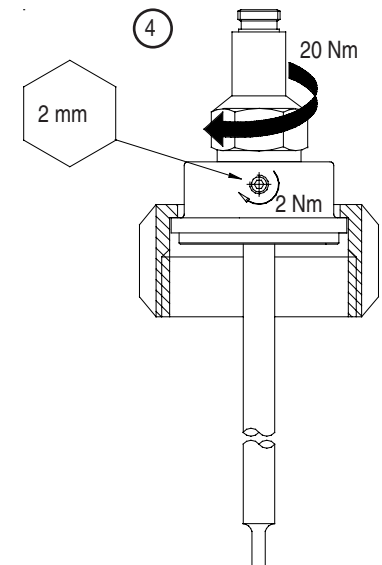
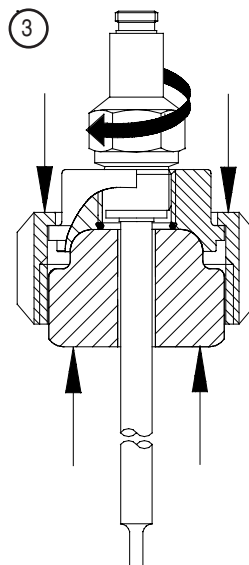
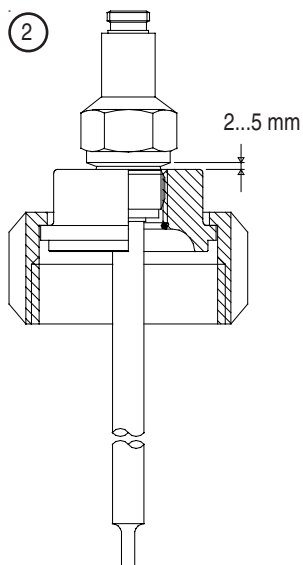
814x Cxxx xxxx xxxx xxx
Male nipple G1/2A
for CombiConnect

Mounting tool
for CombiConnect

Sensor tube with
CombiConnect



- 1) Mount the O-ring in CombiConnect.
- 2) The sensor tube must be screwed into the CombiConnect until there is a 2...5 mm gap between the O-ring and the bottom.
- 3) Press CombiConnect against the mounting tool to prevent the O-ring from sliding out. Tighten the sensor tube up at 20 Nm.
- 4) Tighten the safety-screw up at 2 Nm.



CombiTemp Accessories - Application Example



Complete $\varnothing 80$ mm stainless steel housing
including M16 gland and blind plug (81 43-110)
Extra blind plug (81 43-130)
Bracket for panel mounting (9000 0014)
Cover ring (21 20-020)

UK/2004-10-02 This data sheet may only be reproduced in full.