

# Flanged chemical seals D801 - D804 - D850 - D851

## Process type chemical seals (D801 - D804)

## Chemical seals with extension (D850 - D851)

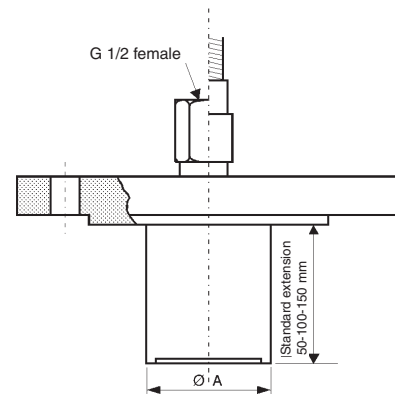
D801 - D804 - D850 - D851 series are designed for the measurement of gauge pressure between 160 mbar and 250 bar and absolute pressure on corrosive fluids in temperature ranges between -60...+200°C.



## Type of assembly

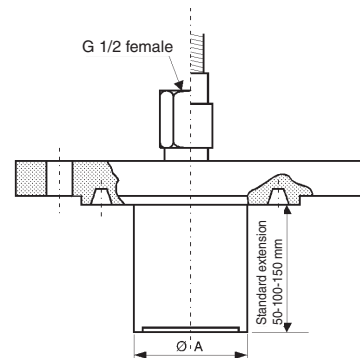
### D850: according to ISO/DIN      D850, raised face according to ANSI

DN	PN	DN	Class	Min. measurement range	Ø A
50	10 to 50	2"	150 to 300	0 + 4 bar -1 + 9 bar	48.3
80	10 to 50	3"	150 to 300	0 + 1 bar -1 + 3 bar	76.1
100	10 to 50	4"	150 to 300	-1 + 0 bar and absolute pressure 0 + 0.16 bar	94



### DE 851 : chemical seal with extension, ring joint face RTJ according to ANSI standard

DN	Class	Min.measurement range	Ø A
2"	300	0 + 4 bar -1 + 9 bar	48.3
3"	150 to 300	0 + 1 bar -1 + 3 bar	76.1
4"	150 to 300	0 + 160 mbar -1 + 0 bar and P. absolute	94



- Flange and extension**      Stainless steel 1.4404 (AISI 316L)
- Diaphragm**                      Stainless steel 1.4435 (AISI 316L), Hastelloy C276, Uranus B6, Hastelloy B2, Tantalum
- Measurement ranges**      Chemical seal mounted on pressure gauge DN 100  
Fluid temperature: -20°C ≤ T ≤ 100°C  
Ambient temperature: -10°C ≤ T ≤ 50°C

The maximum permissible pressure depends on the PN of the flange and its standardised pressure/temperature relation.

For other service conditions see our «Chemical Seal Technical Guide»

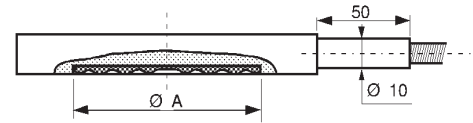


## Type of assembly

Conforms to ISO / DIN

### D801: Process type chemical seal, flat face DIN 2501 / ISO PN

Codes	DN	DIN PN	ISO PN	Min. measurement range	Ø A
01	50	16 to 400	10 / 16 25 / 40	0 + 1 bar -1 + 3 bar	54
02	80	16 to 400	10 / 16 25 / 40	0 + 160 mbar -1 + 0 bar and absolute pressure	89
03	100	16 to 400	10 / 16 25 / 40	0 + 160 mbar -1 + 0 bar and absolute pressure	89

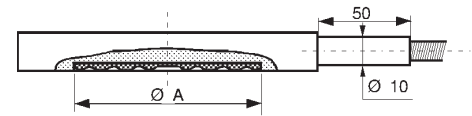


Diaphragms: Stainless steel 1.4435 (AISI 316L), Hastelloy C276, Uranus B6, Hastelloy B2, Tantalum

Conforms to ANSI

### D801: Process type chemical seal, flat face FF

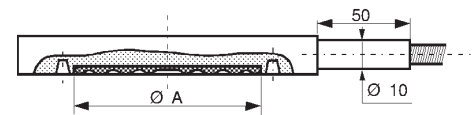
Codes	DN	Class	Min. measuring ranges	Ø A
11	2"	150	0 + 1 bar	54
12	2"	300 to 2500	0 + 1 bar	54
13	3"	150	0 + 160 mbar	89
14	3"	300 to 2500	0 + 160 mbar	89
15	4"	150 to 2500	0 + 160 mbar	89



Diaphragms: Stainless steel 1.4435 (AISI 316L), Hastelloy C276, Uranus B6, Hastelloy B2, Tantalum

### D804: Process type chemical seal, ring joint face RTJ

Codes	DN	Class	Min. measuring ranges	Ø A
01	2"	150	0 + 1 bar	54
02	2"	300 to 600	0 + 1 bar	54
03	2"	900 to 1500	0 + 1 bar	54
04	2"	2500	0 + 1 bar	54
05	3"	150	0 + 160 mbar	89
06	3"	300 to 600	0 + 160 mbar	89
07	3"	900	0 + 160 mbar	89
08	3"	1500	0 + 160 mbar	89
09	3"	2500	0 + 160 mbar	89



Diaphragms: Stainless steel 1.4435 (AISI 316L), Hastelloy C276, Uranus B6, Hastelloy B2, Tantalum

The maximum permissible pressure depends on the PN of the flange and its standardised pressure/temperature relation.

## Codification

		Dxxxxx2xxxxx
<b>Type of chemical seal</b>	<b>1' ... 4' digit</b>	
D801 - D804		Dxxx
<b>Process type chemical seal standard</b>	<b>5' ...6' digit</b>	
<b>ISO / DIN</b>		
D801 (codes on page 2)		xx
<b>ANSI (see table on page 2)</b>		
D801 (codes on page 2)		xx
D804 (codes on page 2)		xx
<b>Housing material</b>	<b>7' digit</b>	
Stainless steel (1.4404)		2
<b>Diaphragm material</b>	<b>8' digit</b>	
Stainless steel 316L (1.4435)		2
Uranus B6 (1.4539)		3
Hastelloy B2 (2.4617)		5
Hastelloy C276 (2.4819)		6
Tantalum		7
<b>Diaphragm coating</b>	<b>9' digit</b>	
No coating		0
PTFE 0.02 mm		1
HALAR 0.2 mm		4
<b>Mounting and type of pipe</b>	<b>10' digit</b>	
Stainless steel capillary pipe with stainless steel protection		A
Stainless steel capillary pipe with stainless steel protection and PVC sheath		B
Stainless steel capillary pipe with reinforced stainless steel protection		C
<b>Pipe length</b>	<b>11' digit</b>	
Length 1 m		1
Length 1.5 m		E
Length 2 m		2
Length 3 m		3
Length 4 m		4
Length 4.5 m		F
Length 5 m		5
Length 6 m		6
Length 7 m		7
Length 8 m		8
Length 9 m		9
Length 10 m		A
Length 11 m		C
Length 12 m		D
<b>Connection on measuring instrument side</b>	<b>12' digit</b>	
G 1/2 female		L
1/2 NPT female		N

## Codification

		Dxxxxxx2xxxxx			
<b>Type of chemical seal</b>	<b>1' ... 4' digit</b>				
D850 - D851		Dxxx			
<b>Mounting and type of capillary</b>	<b>5' digit</b>				
Direct mounting		1			
Stainless steel capillary with stainless steel protection		A			
Stainless steel capillary with stainless steel protection and PVC sheath		B			
Stainless steel capillary with reinforced stainless steel protection		C			
<b>Capillary length</b>	<b>6' digit</b>				
No capillary (direct mounting)		0			
Length 1 m		1			
Length 1.5 m		E			
Length 2 m		2			
Length 3 m		3			
Length 4 m		4			
Length 4.5 m		F			
Length 5 m		5			
Length 6 m		6			
Length 7 m		7			
Length 8 m		8			
Length 9 m		9			
Length 10 m		A			
Length 11 m		C			
Length 12 m		D			
<b>Connection on measuring instrument side</b>	<b>7' digit</b>				
G 1/2 female		L			
1/2 NPT female		N			
<b>Flange standard</b>	<b>8' digit</b>				
ISO flange		1			
ANSI B 16-5 flange		2			
DIN 2501 flange		3			
<b>Flange material</b>	<b>9' digit</b>				
Stainless steel (1.4404)		2			
<b>PN</b>	<b>10' digit</b>				
<b>ANSI</b>					
Class 150		1			
Class 300		2			
<b>ISO / DIN</b>					
PN 10		C			
PN 16		D			
PN 20		E			
PN 25		F			
PN 40		G			
PN 50		H			
<b>DN</b>	<b>11' digit</b>				
<b>ANSI</b>					
DN 2"		7			
DN 3"		9			
DN 4"		V			
<b>ISO / DIN</b>					
DN 50		H			
DN 80		K			
DN 100		L			
<b>Flange face</b>	<b>12' digit</b>				
Extension length 50 mm		1			
Extension length 100 mm		2			
Extension length 150 mm		3			
<b>Diaphragm material</b>	<b>13' digit</b>				
Stainless steel 316L (1.4435)		2			
Uranus B6 (1.4539)		3			
Hastelloy B2 (2.4617)		5			
Hastelloy C276 (2.4819)		6			
Tantalum		7			
<b>Diaphragm coating and flange facing</b>	<b>14' digit</b>				
No coating		0			

FR/08-2004 This data sheet must only be copied in full.