

**D001
D040 - D041**

One-piece **D040** and **D041** chemical seals are designed for the measurement of gauge pressure between 1 and 250 bar of corrosive fluids within the temperature range of -60° to +200°C. In the event of damage, sustained by the pressure indicator or transmitter, the diaphragm of the chemical seal ensures leak proof sealing of the system.

D001 is designed for water treatment and chlorinated products.

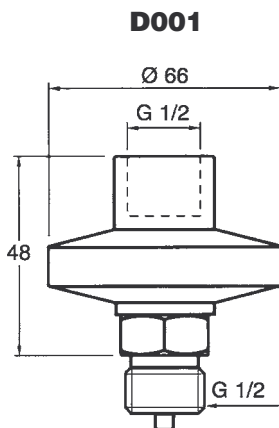
- **D001** : from 2 to 100 bar
- **D040** : from 1 to 16 bar
- **D041** : from 16 to 250 bar
- **Low cost chemical seal**
- **Should not be used in environments with strong vibrations or strong overpressures.**



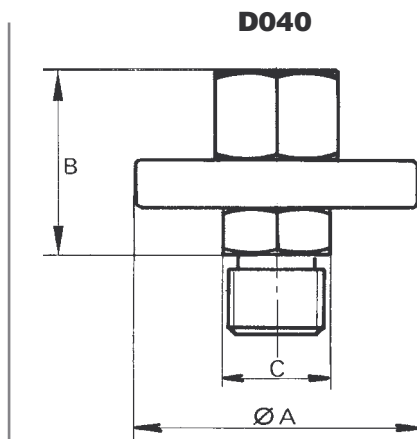
Specifications (20°C)

Compatibility of D040/D041 with pressure gauges Ø 50-63-100-150-160

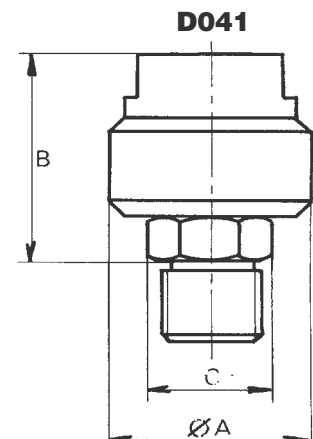
pressure gauges	Ø 50-63			Ø 100-150-160		
Fluid T° (°C)	-20° ≤ T ≤ 100°	-40° ≤ T ≤ 150°	-60° ≤ T ≤ 200°	-20° ≤ T ≤ 100°	-40° ≤ T ≤ 150°	-60° ≤ T ≤ 200°
Operating T° (°C)	-10° ≤ T ≤ 50°	-30° ≤ T ≤ 70°	-40° ≤ T ≤ 80°	-10° ≤ T ≤ 50°	-30° ≤ T ≤ 70°	-40° ≤ T ≤ 80°
D040 from to	1 bar 16 bar	1 bar 16 bar	1 bar 16 bar	1 bar 16 bar	1,6 bar 16 bar	2,5 bar 16 bar
D041 from to	10 bar 250 bar	16 bar 250 bar	16 bar 250 bar	16 bar 250 bar	25 bar 250 bar	40 bar 250 bar



Top housing	Bottom housing	Diaphragm
Brass	Brass	Silver



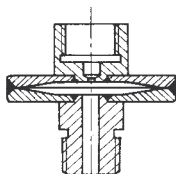
Thread	G 1/2	1/2 NPT	G 1/2	1/4 NPT
ØA	62	62	62	62
B	49.5	49.5	45.5	45.5
C	23	23	23	23
Weight	0.255 kg	0.285 kg	0.210 kg	0.255 kg



Thread	G 1/2	1/2 NPT	G1/4 G1/2	1/4NPT
ØA	42	42	42	42
B	49	63	45	57
C	23	23	23	23
Weight	0.335 kg	0.478 kg	0.335 kg	0.430 kg

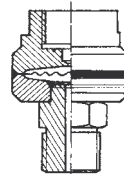
Identification tables

D040



Code	Top housing		Diaphragm	Bottom housing	
	Material	Female thread		Material	Material
D040-01	Stainless steel	G 1/4	Stainless steel	Stainless steel	G 1/4
D040-02	Stainless steel	G 1/4	Stainless steel	Stainless steel	G 1/2
D040-03	Stainless steel	1/4 NPT	Stainless steel	Stainless steel	1/4 NPT
D040-04	Stainless steel	1/4 NPT	Stainless steel	Stainless steel	1/2 NPT
D040-05	Stainless steel	G 1/2	Stainless steel	Stainless steel	G 1/2
D040-06	Stainless steel	G 1/2	Stainless steel	Stainless steel	G 1/4
D040-07	Stainless steel	G 1/2	Stainless steel	Stainless steel	1/2 NPT
D040-08	Stainless steel	G 1/2	Stainless steel	Stainless steel	3/8 BSP
D040-09	Stainless steel	1/2 NPT	Stainless steel	Stainless steel	1/2 NPT
D040-10	Stainless steel	1/2 NPT	Stainless steel	Stainless steel	1/4 NPT
D040-11	Stainless steel	1/2 NPT	Stainless steel	Stainless steel	3/8 NPT
D040-13	Stainless steel	1/2 NPT	Stainless steel	Stainless steel	1/2 BSP-Tr
D040-14	Stainless steel	G 1/2	Stainless steel	Stainless steel	1/2 BSP-Tr
D040-15	Stainless steel	G 1/4	Stainless steel	Stainless steel	3/8 BSP
D040-16	Stainless steel	G 1/2	Stainless steel	Stainless steel	3/8 BSP-Tr
D040-17	Stainless steel	G 1/4	Stainless steel	Stainless steel	1/4 BSP-Tr
D040-18	Stainless steel	1/2 NPT	Stainless steel	Stainless steel	G 1/2
D040-19	Stainless steel	G 1/4	Stainless steel	Stainless steel	1/2 NPT
D040-20	Stainless steel	G 1/2	Stainless steel	Stainless steel	1/4 BSP-Tr
D040-21	Stainless steel	G 1/4	Stainless steel	Stainless steel	G 3/8
D040-22	Stainless steel	1/2 NPT	Stainless steel	Stainless steel	3/4 NPT
D040-24	Stainless steel	G 1/4	Stainless steel	Stainless steel	1/4 NPT

D041



Code	Top housing		Diaphragm	Bottom housing	
	Material	Female thread		Material	Material
D041-01	Stainless steel	G 1/4	Stainless steel	Stainless steel	G 1/4
D041-02	Stainless steel	G 1/4	Stainless steel	Stainless steel	G 1/2
D041-03	Stainless steel	1/4 NPT	Stainless steel	Stainless steel	1/4 NPT
D041-04	Stainless steel	1/4 NPT	Stainless steel	Stainless steel	1/2 NPT
D041-05	Stainless steel	G 1/2	Stainless steel	Stainless steel	G 1/2
D041-06	Stainless steel	G 1/2	Stainless steel	Stainless steel	G 1/4
D041-07	Stainless steel	G 1/2	Stainless steel	Stainless steel	1/2 NPT
D041-08	Stainless steel	G 1/2	Stainless steel	Stainless steel	3/8 BSP
D041-09	Stainless steel	1/2 NPT	Stainless steel	Stainless steel	1/2 NPT
D041-10	Stainless steel	1/2 NPT	Stainless steel	Stainless steel	1/4 NPT
D041-11	Stainless steel	1/2 NPT	Stainless steel	Stainless steel	3/8 NPT
D041-13	Stainless steel	1/2 NPT	Stainless steel	Stainless steel	1/2 BSP-Tr
D041-14	Stainless steel	G 1/2	Stainless steel	Stainless steel	1/2 BSP-Tr
D041-15	Stainless steel	G 1/4	Stainless steel	Stainless steel	1/2 NPT
D041-16	Stainless steel	G 1/4	Stainless steel	Stainless steel	3/8 BSP-Tr

How to order a product

To order these devices, simply give the code corresponding to your choice(s) (see above table).