

## APPLICATIONS:

Opto-Matic oilers provide a constant level of oil in a pump bearing housing, gear box, or other oil sump applications. Throughout processing industries, the Opto-Matic oiler is the industry standard. Different reservoir capacities allow use in many applications.

“LS”, “EH”, and “EHB” models have a large surge chamber to minimize potential of leakage during oil surge conditions.

## FEATURES:

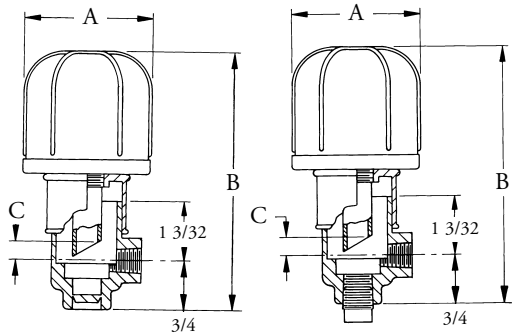
- High strength, transparent, ribbed plastic reservoir provides long life and impact resistance.
- Adjustable level setting allows use in many applications.
- Multiple air vent slots provide for proper functioning at all times.
- Large surge chamber (LS, EH, and EHB models) prevents overflow of oil during machine start-up or shut-down.
- Side and bottom connections for simplified installation.
- BSPT connection ports available.

## SPECIFICATIONS

Max. Operating Temp.	165°F Continuous
Reservoir	Butyrate Plastic
Casting	Zinc Die Cast
Finish	Bright Zinc Plated
Internal Parts	Zinc Plated Steel

# OPTO-MATIC® CONSTANT LEVEL OILERS

7



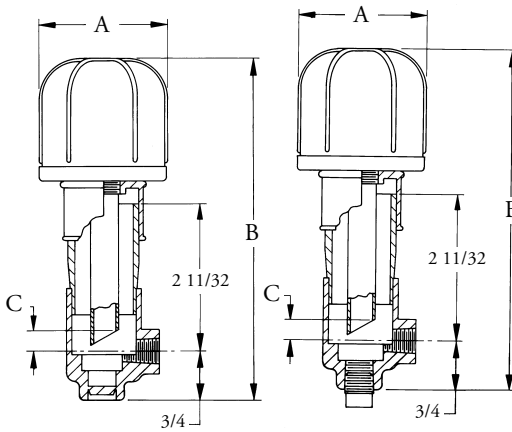
E

EB

## SELECTION CHART - E, EB

Model No.		Capacity	Connection (NPT)*	Dimensions (in.)				
E	EB			A	B Min.	B Max.	C Min.	C Max.
30052	30062	2 oz.	1/4	1-15/16	3-7/8	4-3/8	1/4	3/4
30054	30064	4 oz.	1/4	2-5/16	4-9/16	5-1/16	1/4	3/4
30058	30068	8 oz.	1/4	2-5/8	5-11/16	6-3/16	1/4	3/4

\* Metric thread sizes available. Add "-M" to part number for 1/4 BSPT connection port.



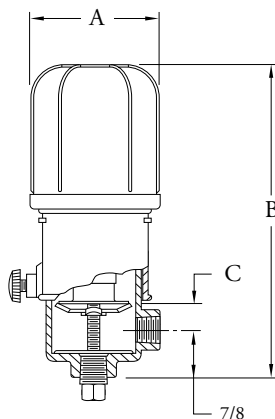
EH

EHB

## SELECTION CHART - EH, EHB

Model No.		Capacity	Connection (NPT)*	Dimensions (in.)				
EH	EHB			A	B Min.	B Max.	C Min.	C Max.
30072	30082	2 oz.	1/4	1-15/16	5	5-1/2	1/4	3/4
30074	30084	4 oz.	1/4	2-5/16	5-11/16	6-3/16	1/4	3/4
30078	30088	8 oz.	1/4	2-5/8	6-13/16	7-5/16	1/4	3/4

\* Metric thread sizes available. Add "-M" to part number for 1/4 BSPT connection port.



LS

## SELECTION CHART - LS



Model No.	Capacity	Connection (NPT)*	Dimensions (in.)				
			A	B Min.	B Max.	C Min.	C Max.
30024	4 oz.	1/4	2-5/16	5-7/16	6-3/16	9/32	1
30028	8 oz.	1/4	2-5/8	6-9/16	7-5/16	9/32	1

\* Metric thread sizes available. Add "-M" to part number for 1/4 BSPT connection port.

## ACCESSORIES

### Breather Tubes

Breather tubes are available for customer installed vent ports in bearing housing or piping lines.

30014	30015	Model No.	Description	
		30014	Type "C"	1/8 NPT Thread Wick Filter
		30015	Type "E"	1/8 NPT Thread Dust Cap