

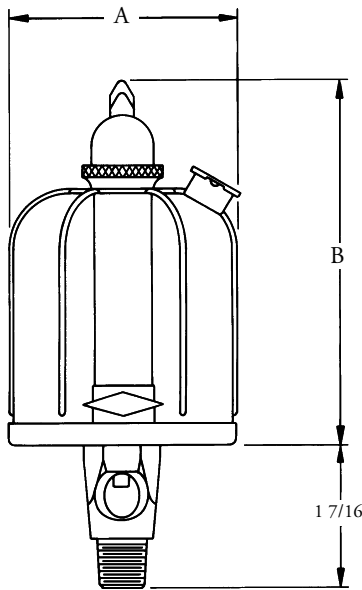
APPLICATIONS:

Trico's plastic gravity feed oilers work in a wide range of industrial lubricating applications. The heavy wall acrylic reservoirs have a ribbed design to resist shock and vibration in harsh environments.

Adjustable drip rates are easily and quickly set and controlled with a lock ring for maximum versatility.

FEATURES:

- Three position toggle switch provides easy to use on-off control and a flushing option to avoid dry start-ups.
- Plastic reservoirs have reinforced ribs for long life and impact resistance.
- Vented sight chamber ensures proper operation when used with tight or high speed bearings.
- Copper brazing of all steel connections provides long life and leak proof design.
- Zinc plating resists corrosion.



KL



SPECIFICATIONS

Max. Operating Temp.	165°F Continuous
Reservoir	Butyrate Plastic
Oil Sight	Acrylic Plastic
Sight Gaskets	Buna-N
Materials	Steel and Brass
Finish	Bright Zinc Plated
Needle Valve	Steel

SELECTION CHART - KL

Toggle Shut-off - Locking Ring Mechanism

Model No.	Capacity	Connection (NPT)	Dimensions (in.)	
			A	B
30320	1 oz.	1/8	1-5/8	2-5/8
30321	1 oz.	1/4	1-5/8	2-5/8
30322	2 oz.	1/8	1-15/16	3-1/16
30323	2 oz.	1/4	1-15/16	3-1/16
30324	4 oz.	1/8	2-5/16	3-7/8
30325	4 oz.	1/4	2-5/16	3-7/8
30326	4 oz.	3/8	2-5/16	3-7/8
30327	8 oz.	1/8	2-5/8	4-15/16
30328	8 oz.	1/4	2-5/8	4-15/16
30329	8 oz.	3/8	2-5/8	4-15/16