

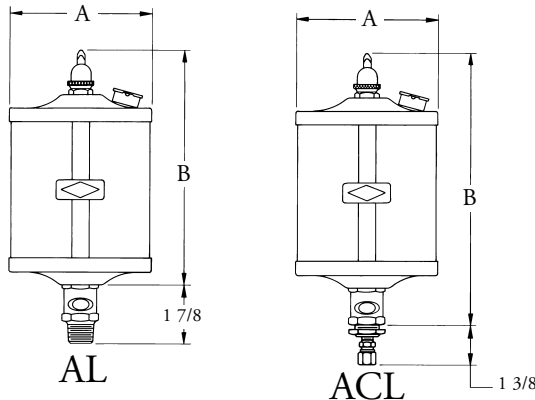
APPLICATIONS:

The Atlas gravity feed oiler is used in all heavy-duty applications where a large oil capacity is needed and an adjustable rate of oil is required. Silver brazed construction of the reinforced brass assembly provides long life in high vibration applications.

The Atlas oiler is adjustable for varying rates of oil flow used in bearing or machinery lubrication. The adjustable drip rates are easily set and controlled with a lock ring for maximum versatility.

FEATURES:

- Heavy wall heat resistant glass reservoirs and sights providing service in temperatures to 250°F.
- Acrylic reservoir versions have heavy walls for long life in applications to 165°F.
- Three position toggle switch provides easy to use on-off control, and a flushing option to avoid dry start-ups.
- Direct mounting with NPT threads (AL) or remote mounting with 3/4-16 mounting stud and 1/4" tubing connections (ACL) simplifies installation.
- Silver brazing of all brass construction provides long life and leak proof design.
- Clear lacquer finish resists corrosion.



SPECIFICATIONS

| | |
|----------------------|---|
| Max. Operating Temp. | Glass 250°F Continuous Acrylic 165°F Continuous |
| Reservoir | Heavy Wall Heat Resistant Glass Heavy Wall Acrylic Plastic |
| Oil Sight | Heavy Wall Heat Resistant Glass Heavy Wall Acrylic Plastic |
| Gasket | Buna-N |
| Material | Brass |
| Finish | Lacquered Satin Finish |
| Needle Valve | Brass |



SELECTION CHART - AL

Locking Ring Mechanism - Direct Mounting

| Model No. | | Capacity | Connection (NPT) | Dimensions (in.) | |
|-----------|---------|----------|------------------|------------------|----------|
| Glass | Acrylic | | | A | B |
| 31511 | 31410 | 10 oz. | 1/4 | 3-1/8 | 5-9/16 |
| 31512 | 31411 | 10 oz. | 3/8 | 3-1/8 | 5-9/16 |
| 31517 | 31416 | 1 pt. | 3/8 | 3-5/8 | 6-9/16 |
| 31518 | 31417 | 1 pt. | 1/2 | 3-5/8 | 6-9/16 |
| 31543 | 31432 | 1 qt. | 1/2 | 4-7/16 | 7-5/8 |
| 31581 | 31480 | 2.5 qt. | 1/2 | 5-11/16 | 9-3/4 |
| - | 31481 | 1 gal. | 1/2 | 5-11/16 | 14-13/16 |

SELECTION CHART - ACL

Locking Ring Mechanism - Remote Mounting - 1/4" tube connector furnished.

| Model No. | | Capacity | Mounting Stud | Dimensions (in.) | |
|-----------|---------|----------|---------------|------------------|----------|
| Glass | Acrylic | | | A | B |
| 32111 | 32010 | 10 oz. | 3/4-16 | 3-1/8 | 6-5/8 |
| 32117 | 32016 | 1 pt. | 3/4-16 | 3-5/8 | 7-5/8 |
| 32133 | 32032 | 1 qt. | 3/4-16 | 4-7/16 | 8-11/16 |
| 32181 | 32080 | 2.5 qt. | 3/4-16 | 5-11/16 | 10-13/16 |
| - | 32081 | 1 gal. | 3/4-16 | 5-11/16 | 15-7/8 |