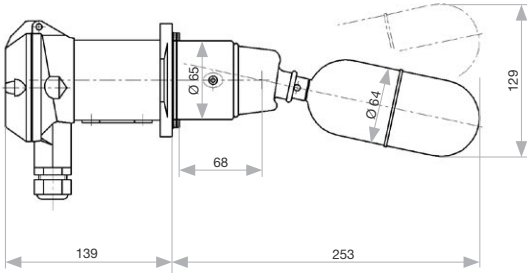




**A 01 051**  
**A 01 052**  
**A 01 053**  
**A 01 054**

**For contaminated or crystallizing media**

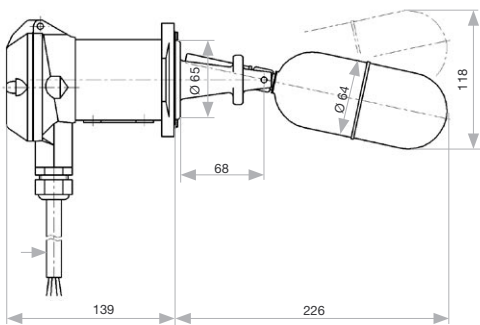
Bellows to prevent jamming of the float mechanism.  
 Bellow materials      A 01 051      Perbunan/Buna  
                                  A 01 052      Silicon  
                                  A 01 053      Viton  
                                  A 01 054      PTFE  
 Operating temperatures    A 01 051      0 to 120°C  
                                  A 01 052      0 to 200°C  
                                  A 01 053      10 to 200°C  
                                  A 01 054      0 to 250°C  
 Mounting length          253 mm  
 Weight                      approx. 2 kg  
 All other technical data as type A 01 04



**U3A 01 04**  
**U5A 01 04**  
**U11A 01 04**

**For submersible applications**

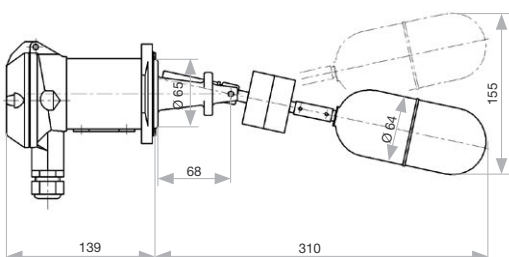
Operating temperature    -30 to 80°C  
 Ambient temperature      -30 to 80°C  
 Switch housing material    Sea water resistant die cast aluminium  
 Enclosure                    IP 68  
                                  switch housing is pressure tight up to 100 meters WG  
 Length of encapsulated cable  
                                  U3A 01 04      3 m  
                                  U5A 01 04      5 m  
                                  U11A 01 04     11 m  
 Weight                      U3A 01 04      approx. 2.5 kg  
                                  U5A 01 04      approx. 2.8 kg  
                                  U11A 01 04     approx. 4 kg  
 All other technical data as type A 01 04



**A 01 08T1**

**For interface application**

Density of liquids          Heavier liquid  
                                  min. 0.8 kg/dm<sup>3</sup>  
 Difference in density      min. 0.22 kg/dm<sup>3</sup>  
 Operating differential      approx. 20 mm  
 Rod length                  100 mm  
 Weight                      approx. 2.4 kg  
 All other technical data as type A 01 04



The position of the weight is calculated in reference to the densities of the media and is factory preset.