

A 01 090  
A 01 091  
A 01 092  
A 01 093  
A 01 095



### For adjustable operating differential

These level switches are mainly used for 2 point operation, for example pump control.

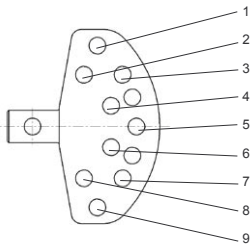
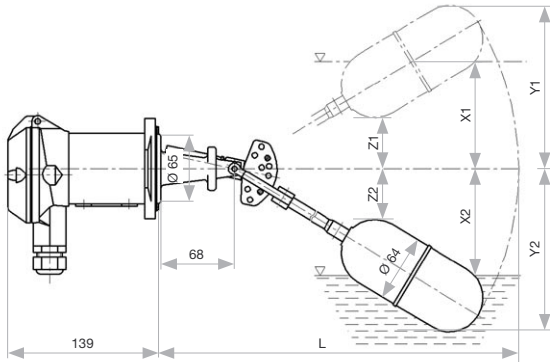
Nominal pressure PN 25 max. 25 bar up to 300°C  
Operating temperature 0 to 300°C  
Ambient temperature 0 to 70°C  
Density of liquid min. 0.8 kg/dm<sup>3</sup>  
(A 01 095: min. 0.9 kg/dm<sup>3</sup>)

Operating differential S see table  
Wetside material Stainless steel (CrNiMo)  
Flange material Stainless steel (CrNiMo)  
Switch housing material Sea water resistant die cast aluminium

Flange dimensions 92 x 92 mm (PCD 92 mm)  
Counterflange see page 33  
Switch element Microswitch SPDT

Switch rating 5A/250 VAC 5A/30 VDC  
Enclosure IP 65

Weight A 01 090 approx. 2 kg  
A 01 091 approx. 2 kg  
A 01 092 approx. 2.1 kg  
A 01 093 approx. 2.1 kg  
A 01 095 approx. 2 kg



### Adjustment of switching differential

The switching differential can be set by inserting pegs in holes 1 to 9 of the adjustment block (see drawing). The resulting differentials, the positions of the switching points and the float travel can be seen in the table below. The values are in mm and are referenced to water at 20°C and density of 1.0 kg/dm<sup>3</sup>.

Type	A 01 090					A 01 091					A 01 092					A 01 093					A 01 095				
L	278 mm					361 mm					461 mm					561 mm					246 mm				
Pos.	X1	X2	Diff.	Y1	Y2	X1	X2	Diff.	Y1	Y2	X1	X2	Diff.	Y1	Y2	X1	X2	Diff.	Y1	Y2	X1	X2	Diff.	Y1	Y2
			S	(Z2)	(Z1)			S	(Z2)	(Z1)			S	(Z2)	(Z1)			S	(Z2)	(Z1)			S	(Z2)	(Z1)
1-4	+108	+60	48	175	(10)	+157	+85	72	238	(20)	+230	+125	105	315	(50)	+292	+160	132	395	(75)	+100	+55	45	147	(10)
1-5	+108	+15	93	175	35	+157	+25	132	238	37	+230	+39	191	315	39	+292	+48	244	395	42	+100	+18	82	147	35
1-6	+108	-25	133	175	85	+157	-37	194	238	105	+230	-51	281	315	135	+292	-65	357	395	165	+100	-18	118	147	74
1-7	+108	-52	160	175	125	+157	-90	247	238	165	+230	-124	354	315	215	+292	-160	452	395	265	+100	-46	146	147	115
1-8	+108	-80	188	175	153	+157	-128	285	238	206	+230	-171	401	315	275	+292	-215	507	395	345	+100	-70	170	147	128
1-9	+108	-110	218	175	175	+157	-160	317	238	238	+230	-212	442	315	315	+292	-265	557	395	395	+100	-90	190	147	147
2-5	+98	+15	83	153	35	+122	+25	97	206	37	+181	+39	142	275	39	+230	+48	182	345	42	+79	+18	61	128	35
2-6	+98	-25	123	153	85	+122	-37	159	206	105	+181	-51	232	275	135	+230	-65	295	345	165	+79	-18	97	128	74
2-7	+98	-52	150	153	125	+122	-90	212	206	165	+181	-124	305	275	215	+230	-160	390	345	265	+79	-46	125	128	115
2-8	+98	-80	178	153	153	+122	-128	250	206	206	+181	-171	352	275	275	+230	-215	445	345	345	+79	-70	149	128	128
2-9	+98	-110	208	153	175	+122	-160	282	206	238	+181	-212	393	275	315	+230	-265	495	345	395	+79	-90	169	128	147
3-5	+58	+15	43	125	35	+81	+25	56	165	37	+122	+39	83	215	39	+145	+48	97	265	42	+52	+18	34	115	35
3-6	+58	-25	83	125	85	+81	-37	118	165	105	+122	-51	173	215	135	+145	-65	210	265	165	+52	-18	70	115	74
3-7	+58	-52	110	125	125	+81	-90	171	165	165	+122	-124	246	215	215	+145	-160	305	265	265	+52	-46	98	115	115
3-8	+58	-80	138	125	153	+81	-128	209	165	206	+122	-171	293	215	275	+145	-215	360	265	345	+52	-70	122	115	128
3-9	+58	-110	168	125	175	+81	-160	241	165	238	+122	-212	334	215	315	+145	-265	410	265	395	+52	-90	142	115	147
4-6	+25	-25	50	85	85	+31	-37	68	105	105	+48	-51	99	135	135	+63	-65	128	165	165	+23	-18	41	74	74
4-7	+25	-52	77	85	125	+31	-90	121	105	165	+48	-124	172	135	215	+63	-160	223	165	265	+23	-46	69	74	115
4-8	+25	-80	105	85	153	+31	-128	159	105	206	+48	-171	219	135	275	+63	-215	278	165	345	+23	-70	93	74	128
4-9	+25	-110	135	85	175	+31	-160	191	105	238	+48	-212	260	135	315	+63	-265	328	165	395	+23	-90	113	74	147
5-7	-15	-52	37	35	125	-33	-90	57	37	165	-40	-124	84	39	215	-50	-160	110	42	265	-12	-46	34	35	115
5-8	-15	-80	65	35	153	-33	-128	95	37	206	-40	-171	131	39	275	-50	-215	165	42	345	-12	-70	58	35	128
5-9	-15	-110	95	35	175	-33	-160	127	37	238	-40	-212	172	39	315	-50	-265	215	42	395	-12	-70	78	35	147
6-9	-55	-110	55	(10)	175	-80	-160	80	(20)	238	-105	-212	107	(50)	315	-135	-265	130	(75)	395	-45	-90	45	(10)	147