

VEGAPULS 66

**Radar sensor for continuous level measurement
with horn antenna or with mounted 2" standpipe (C-Band, 6GHz)**

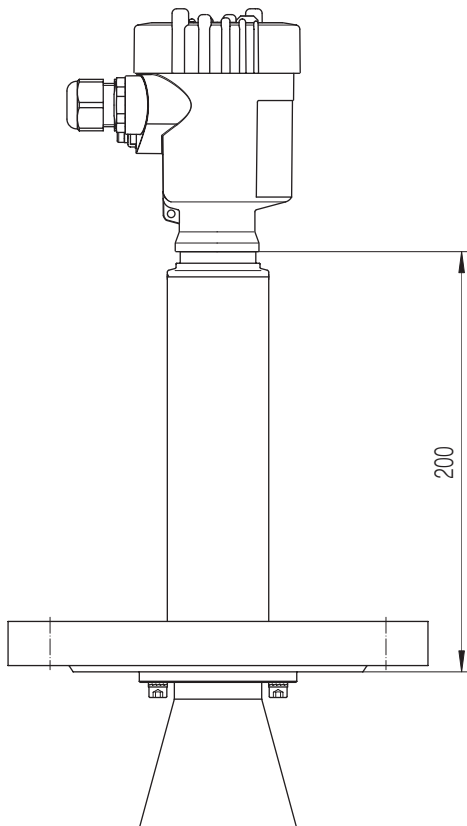
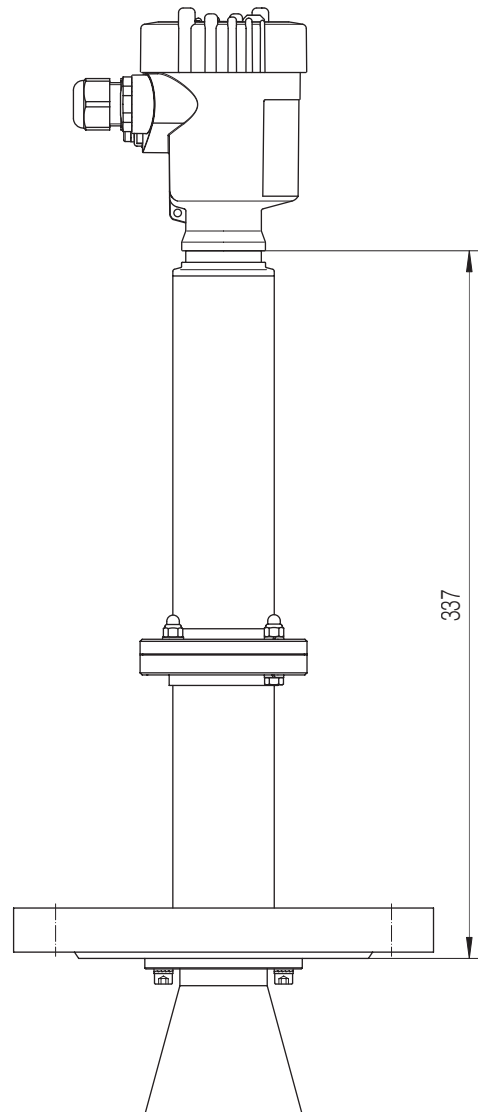
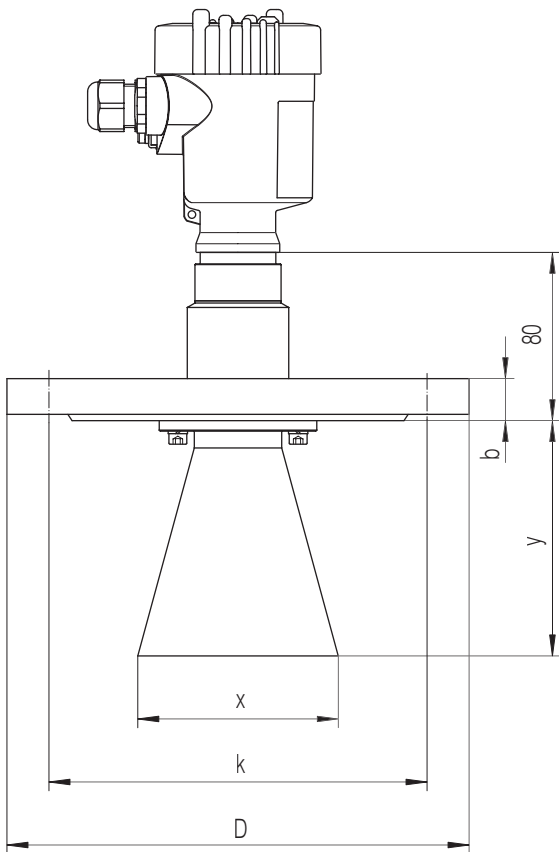
Especially suitable for the measurement of liquids and solids
under arduous or extreme process conditions

- non-contact measurement unaffected by the process pressure,
process temperature and process gas
- measurement up to 100mm to the antenna edge possible
- accuracy +/- 10mm
- ECHOFOX signal processing with Fuzzy-Logic
- adjustment with PLICSCOM, HART handheld or PC
- instrument from the plics® family





VEGAPULS 66 horn antenna



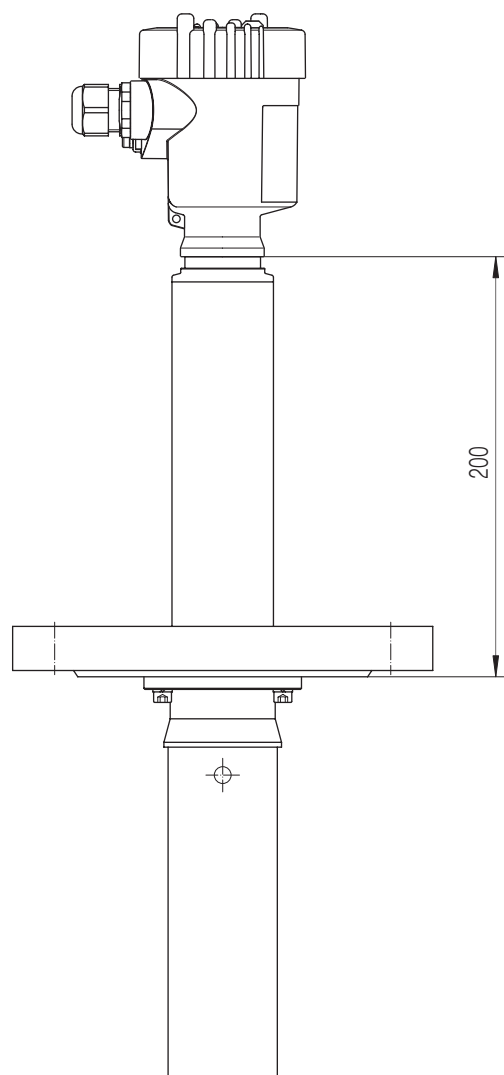
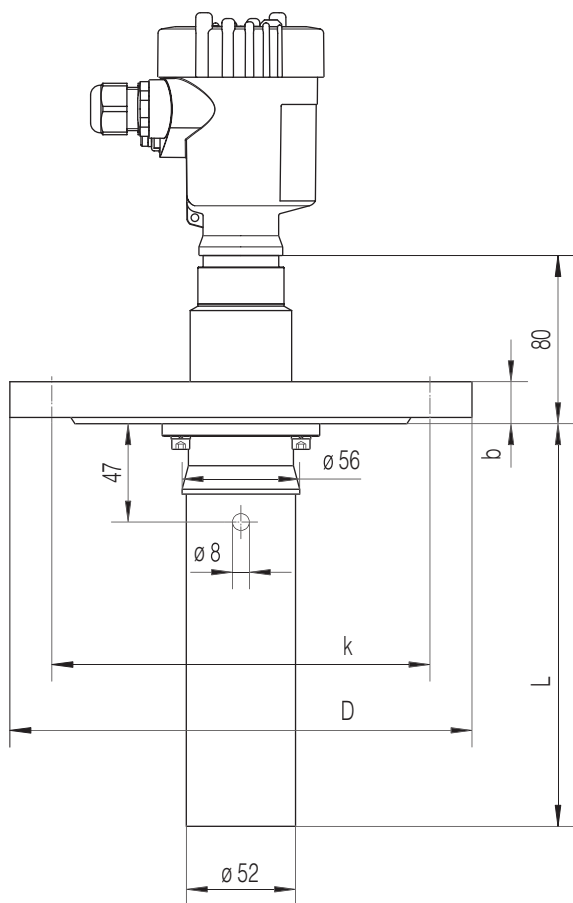
Flange connection acc. to DIN 2501, seal ledge acc. to DIN 2526 Form D

Size	Flange D	b	k	Holes No.	d ₂	Antenna x	Antenna y
DN 50 PN 16/40	165	20	125	4	18	–	–
DN 80 PN 16/40	200	24	160	8	18	75	75
DN 100 PN 16	220	20	180	8	18	96	113
DN 150 PN 16	285	22	240	8	22	146	205
DN 200 PN 16	340	24	295	12	22	196	296
DN 250 PN 16	405	26	355	12	26	242	380

Flange connection acc. to ANSI B16,5, RF

Size	Flange D	b	k	Holes No.	d ₂	Antenna x	Antenna y
2" 150 lb	152,4	19,1	120,7	4	19,1	–	–
3" 150 lb	190,5	23,9	152,4	4	19,1	75	75
4" 150 lb	228,6	23,9	190,5	8	19,1	96	113
6" 150 lb	279,4	25,4	241,3	8	22,4	146	205
8" 150 lb	342,9	28,4	298,5	8	22,4	196	296
10" 150 lb	406,4	30,2	362	12	25,4	242	380

VEGAPULS 66 standpipe antenna

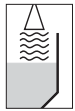


**Flange connection acc. to DIN 2501,
seal ledge acc. to DIN 2526 Form D**

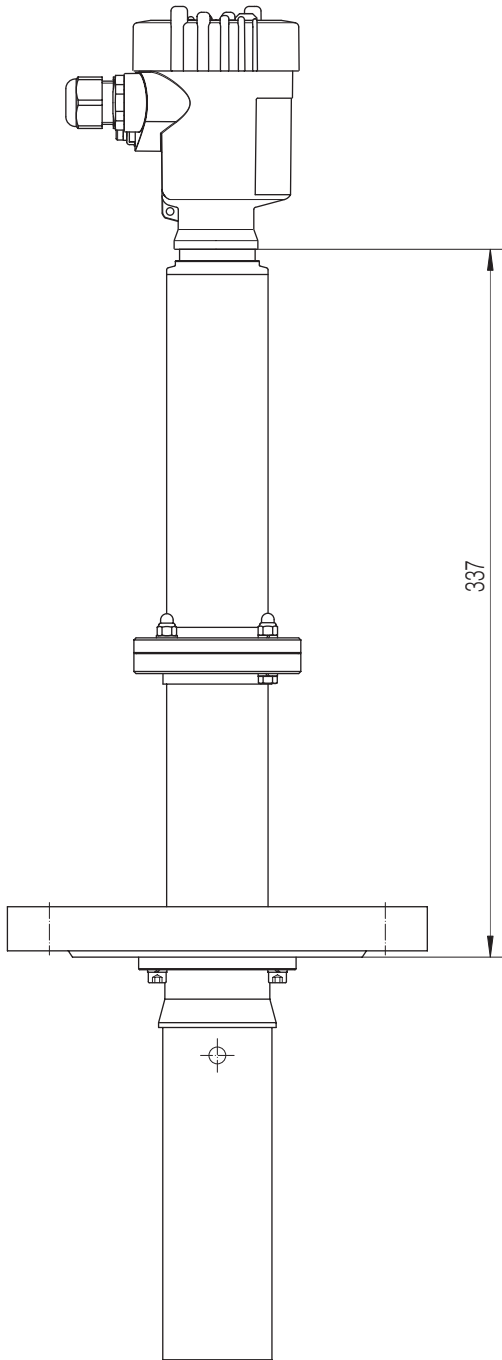
Size	Flange			Holes	
	D	b	k	No.	d ₂
DN 50 PN 16/40	165	20	125	4	18
DN 80 PN 16/40	200	24	160	8	18
DN 100 PN 16	220	20	180	8	18
DN 150 PN 16	285	22	240	8	22
DN 200 PN 16	340	24	295	12	22
DN 250 PN 16	405	26	355	12	26

**Flange connection acc. to
ANSI B16.5, RF**

Size	Flange			Holes	
	D	b	k	No.	d ₂
2" 150 lb	152,4	19,1	120,7	4	19,1
3" 150 lb	190,5	23,9	152,4	4	19,1
4" 150 lb	228,6	23,9	190,5	8	19,1
6" 150 lb	279,4	25,4	241,3	8	22,4
8" 150 lb	342,9	28,4	298,5	8	22,4
10" 150 lb	406,4	30,2	362	12	25,4



VEGAPULS 66 standpipe antenna

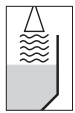


Flange connection acc. to DIN 2501, seal ledge acc. to DIN 2526 Form D

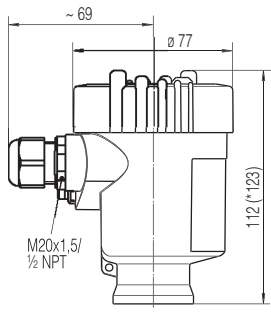
Size	Flange			Holes		Antenna	
	D	b	k	No.	d ₂	x	y
DN 50 PN 16/40	165	20	125	4	18	–	–
DN 80 PN 16/40	200	24	160	8	18	75	75
DN 100 PN 16	220	20	180	8	18	96	113
DN 150 PN 16	285	22	240	8	22	146	205
DN 200 PN 16	340	24	295	12	22	196	296
DN 250 PN 16	405	26	355	12	26	242	380

Flange connection acc. to ANSI B16,5, RF

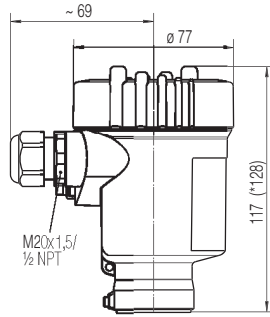
Size	Flange			Holes		Antenna	
	D	b	k	No.	d ₂	x	y
2" 150 lb	152,4	19,1	120,7	4	19,1	–	–
3" 150 lb	190,5	23,9	152,4	4	19,1	75	75
4" 150 lb	228,6	23,9	190,5	8	19,1	96	113
6" 150 lb	279,4	25,4	241,3	8	22,4	146	205
8" 150 lb	342,9	28,4	298,5	8	22,4	196	296
10" 150 lb	406,4	30,2	362	12	25,4	242	380



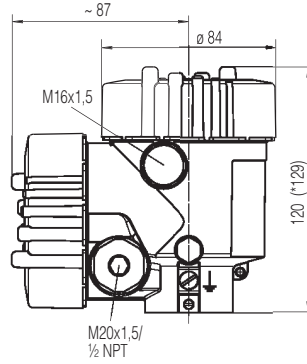
Plastic housing



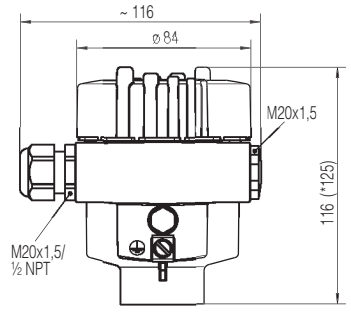
Stainless steel housing



Aluminium double chamber housing

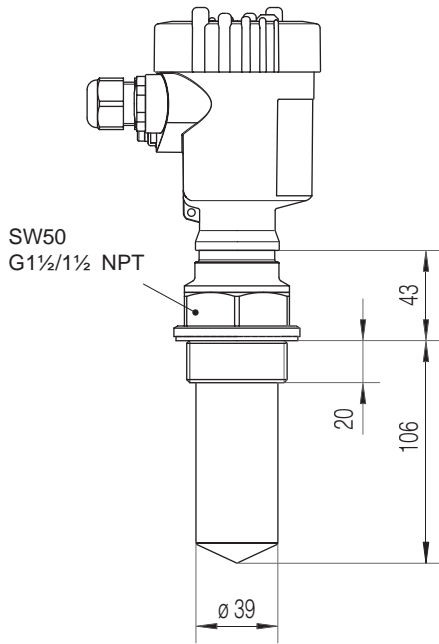


Aluminium housing



* with display

VEGAPULS 61



VEGAPULS 62

