

VEGAPULS 65

Radar sensor for continuous level measurement with rod antenna system (C-Band, 6GHz)

Especially suitable for vessels with small process connection
For measurement of aggressive liquids under easy process conditions

- wetted parts: PVDF or PTFE
- measurement up to 100mm to the antenna edge possible
- accuracy +/- 10mm
- ECHOFOX signal processing with Fuzzy-Logic
- adjustment with PLICSCOM, HART handheld or PC
- instrument from the plics® family





Approval

- XX** without
- XM** Ship approval
- CX** ATEX II 1G, 1/2G, 2G EEx ia IIC T6
- CA** ATEX II 1G, 1/2G, 2G EEx ia IIC T6 + WHG
- CM** ATEX II 1G, 1/2G, 2G EEx ia IIC T6 + Ship approval
- DX** ATEX II 1/2G, 2G EEx d ia IIC T6¹⁾

Version/Material

- K** Rod antenna for socket 50 mm/PVDF a.PTFE/-40°C...130°C²⁾
- L** Rod antenna for socket 100 mm/PTFE / -40°C...150°C³⁾
- M** Rod antenna for socket 250 mm/PTFE/-40°C...150°C³⁾

Process connection/Material

- GD** Thread G1½A PN16/1.4435(316L)
- GP** Thread G1½A PN3/PVDF
- ND** Thread 1½NPT PN16/1.4435(316L)
- NP** Thread 1½NPT PN3/PVDF
- FC** Flange DN50PN40 Form C,DIN2501/1.4435(316L)
- FD** Flange DN80PN16 Form C,DIN2501/1.4435(316L)
- FE** Flange DN100PN16 Form C,DIN2501/1.4435(316L)
- FK** Flange DN150PN16 Form C,DIN2501/1.4435(316L)
- AE** Flange 2"150lb RF,ANSI B16.5/1.4435(316L)
- AI** Flange 3"150lb RF,ANSI B16.5/1.4435(316L)
- AK** Flange 4"150lb RF,ANSI B16.5/1.4435(316L)
- AM** Flange 6"150lb RF,ANSI B16.5/1.4435(316L)

Electronics

- H** 4...20mA HART®
- V** Four wire 20...72VDC,20...250VAC/4...20mA HART®¹⁾
- P** Profibus PA
- F** Foundation Fieldbus

Housing/Protection

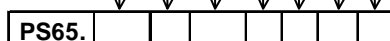
- K** Plastic/IP66/IP67
- A** Aluminium/IP66
- D** Aluminium double chamber/IP66/IP67
- V** Stainless steel 1.4435(316L)/IP66/IP67

Cable entry/Plug connection

- M** M20x1.5/without
- N** ½NPT/without

Indicating-adjustment module (Plicscom)

- X** without
- A** mounted



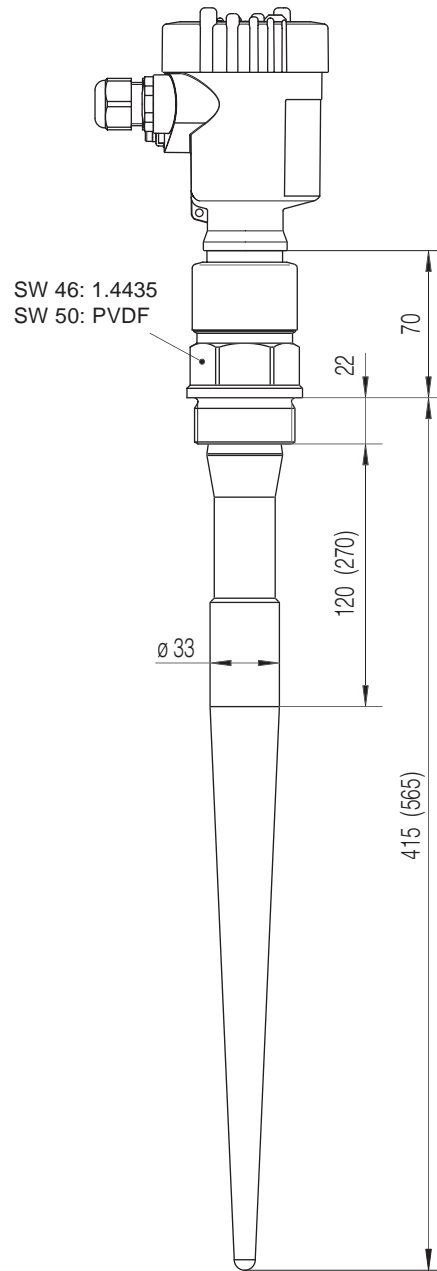
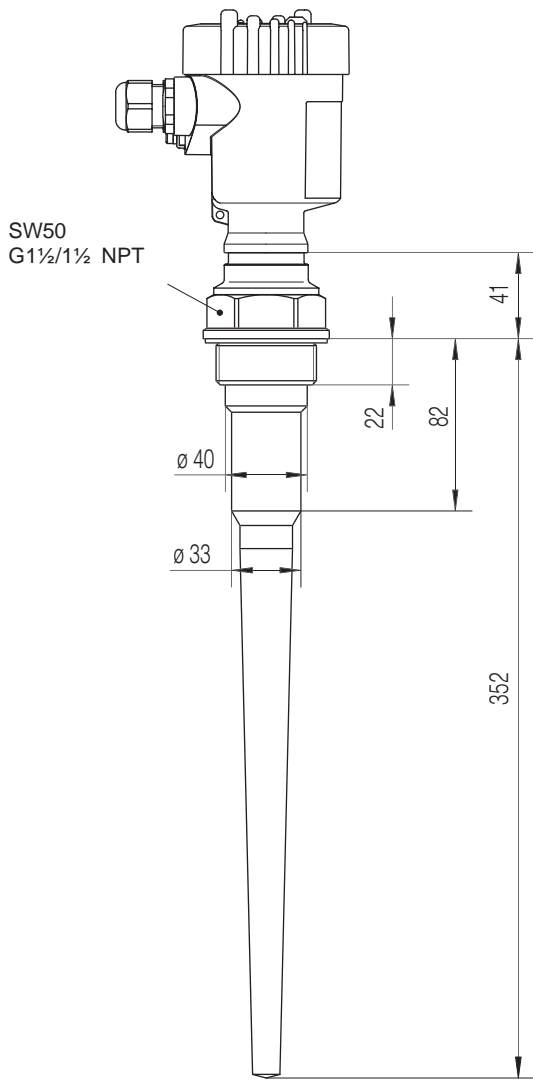
¹⁾ Only in conjunction with housing version "D"

²⁾ only for process fitting "GP" or "NP"

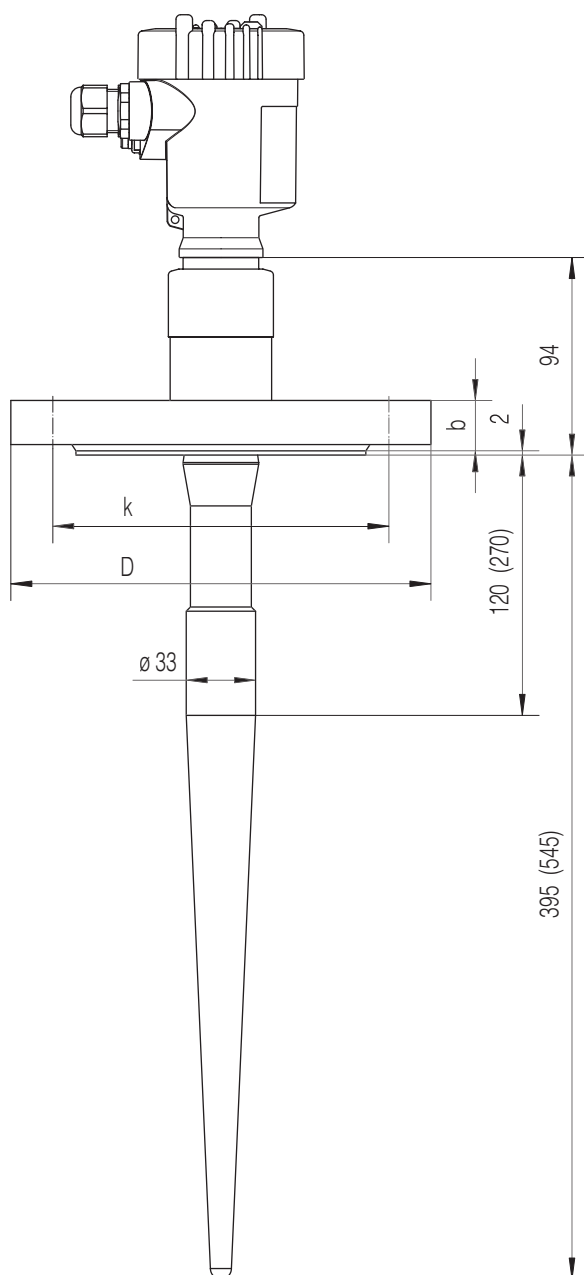
³⁾ with process fitting "GP" or "NP" process temperature -40...130°C



VEGAPULS 65



VEGAPULS 65



**Flange connection acc. to DIN 2501,
seal ledge acc. to DIN 2526 Form D**

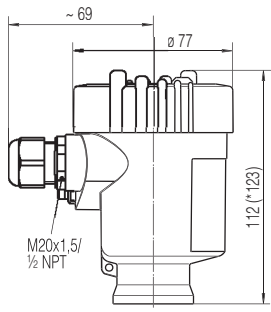
Size	Flange			Holes	
	D	b	k	No.	d ₂
DN50 PN16/40C	165	20	125	4	18
DN80 PN16/40C	200	24	160	8	18
DN100 PN16C	220	20	180	8	18
DN150 PN16C	285	22	240	8	22

**Flange connection acc. to
ANSI B16,5, RF**

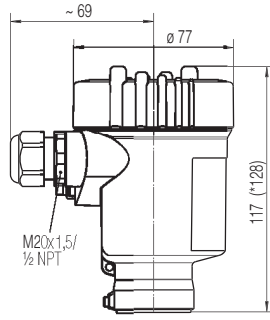
Size	Flange			Holes	
	D	b	k	No.	d ₂
2" 150 lb	152,4	19,1	120,7	4	19,1
3" 150 lb	190,5	23,9	152,4	4	19,1
4" 150 lb	228,6	23,9	190,5	8	19,1
6" 150 lb	279,4	25,4	241,3	8	22,4



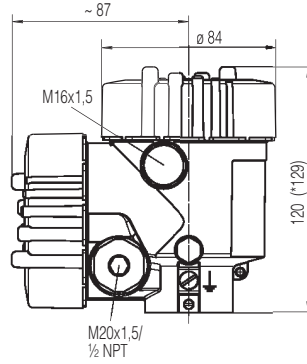
Plastic housing



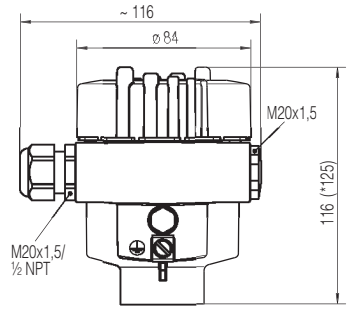
Stainless steel housing



Aluminium double chamber housing

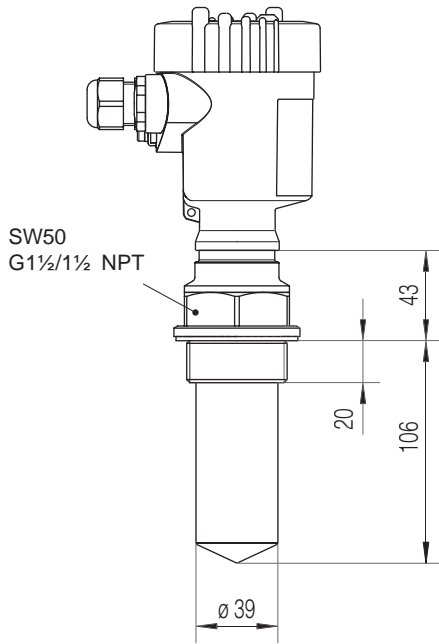


Aluminium housing



* with display

VEGAPULS 61



VEGAPULS 62

