

VEGAPULS 63

Radar sensor for continuous level measurement with PTFE-encapsulated antenna system (K-Band, 26GHz)

Especially suitable for measurement of very aggressive liquids
under arduous process conditions

- only one material for wetted parts: TFM-PTFE
- measurement up to 50mm to the antenna edge possible
- accuracy +/- 3mm
- ECHOFOX signal processing with Fuzzy-Logic
- adjustment with PLICSCOM, HART handheld or PC
- instrument from the plics® family





Approval

- XX** without
- XM** Ship approval
- CX** ATEX II 1G, 1/2G, 2G EEx ia IIC T6
- CA** ATEX II 1G, 1/2G, 2G EEx ia IIC T6 + WHG
- CM** ATEX II 1G, 1/2G, 2G EEx ia IIC T6 + Ship approval
- DX** ATEX II 1/2G, 2G EEx d ia IIC T6¹⁾

Version/Material

- P** with encapsulated horn antenna/PTFE / -40°C...150°C

Process connection/Material

- CA** Tri-Clamp 2"/1.4435(316L)
- CB** Tri-Clamp 3"/1.4435(316L)
- CC** Tri-Clamp 4"/1.4435(316L)
- RA** Bolting DN50 PN16,DIN 11851 1.4435(316L)
- RB** Bolting DN80 PN16,DIN 11851 1.4435(316L)
- FC** Flange DN50PN40 Form C,DIN2501/1.4435(316L)
- FD** Flange DN80PN40 Form C,DIN2501/1.4435(316L)
- FE** Flange DN100PN16 Form C,DIN2501/1.4435(316L)
- FK** Flange DN150PN16 Form C,DIN2501/1.4435(316L)
- AE** Flange 2"150lb RF,ANSI B16.5/1.4435(316L)
- AI** Flange 3"150lb RF,ANSI B16.5/1.4435(316L)
- AK** Flange 4"150lb RF,ANSI B16.5/1.4435(316L)
- AM** Flange 6"150lb RF,ANSI B16.5/1.4435(316L)

Electronics

- H** 4...20mA HART®
- V** Four wire 20...72VDC,20...250VAC/4...20mA HART®¹⁾
- P** Profibus PA
- F** Foundation Fieldbus

Housing/Protection

- K** Plastic/IP66/IP67
- A** Aluminium/IP66
- D** Aluminium double chamber/IP66/IP67
- V** Stainless steel 1.4435(316L)/IP66/IP67

Cable entry/Plug connection

- M** M20x1.5/without
- N** ½NPT/without

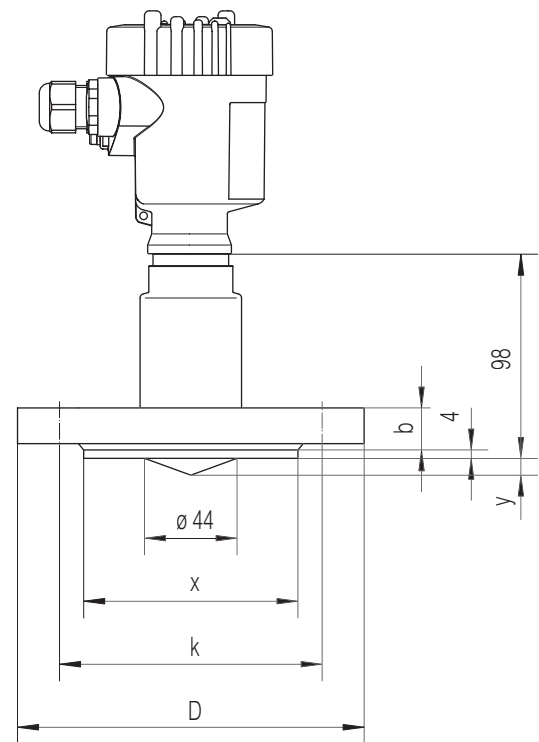
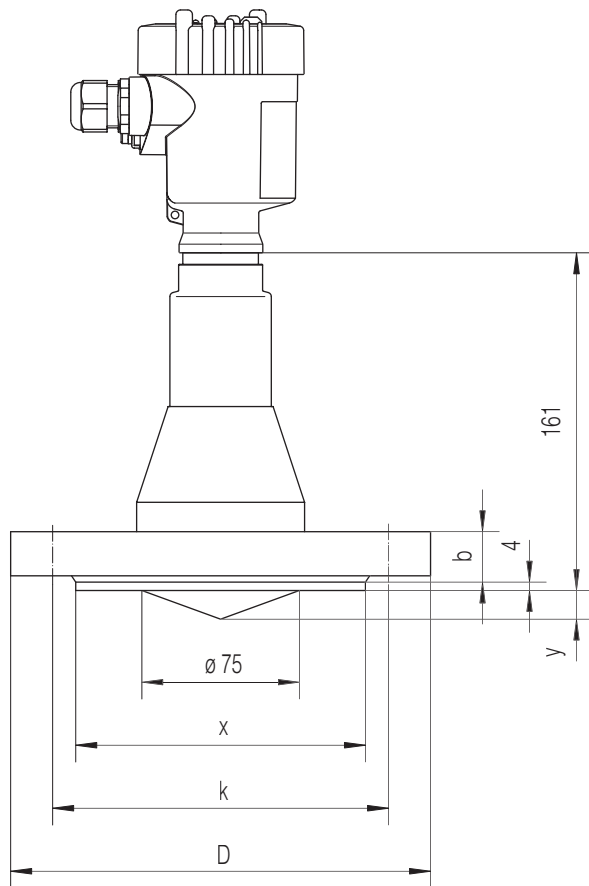
Indicating-adjustment module (Plicscom)

- X** without
- A** mounted

PS63.									
-------	--	--	--	--	--	--	--	--	--

¹⁾ Only in conjunction with housing version "D"

VEGAPULS 63



**Flange connection acc. to DIN 2501, seal ledge
acc. to DIN 2526 Form D**

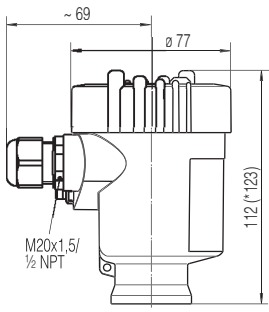
Size	Flange			Holes		Flange coating	
	D	b	k	No.	d_2	x	y
DN 50 PN 40	165	20	125	4	18	102	8
DN 80 PN 40	200	24	160	8	18	138	14
DN 100 PN 16	220	20	180	8	18	158	14
DN 150 PN 16	285	22	240	8	22	212	14

Flange connection acc. to ANSI B16,5, RF

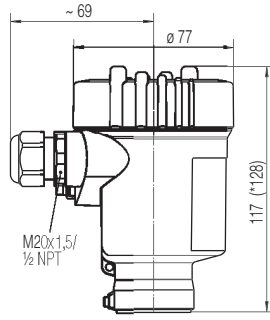
Size	Flange			Holes		Flange coating	
	D	b	k	No.	d_2	x	y
2" 150 lb	152,4	19,1	120,7	4	19,1	91,9	8
3" 150 lb	190,5	23,9	152,4	4	19,1	127	14
4" 150 lb	228,6	23,9	190,5	8	19,1	157,2	14
6" 150 lb	279,4	25,4	241,3	8	22,4	215,9	14



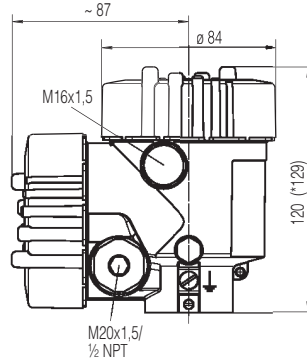
Plastic housing



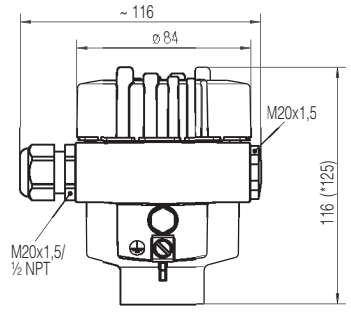
Stainless steel housing



Aluminium double chamber housing

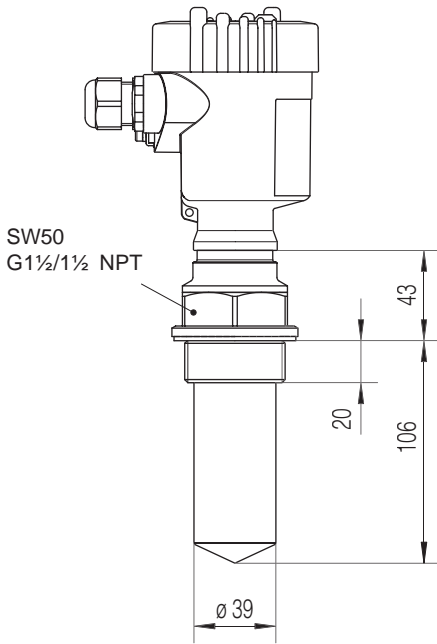


Aluminium housing



* with display

VEGAPULS 61



VEGAPULS 62

