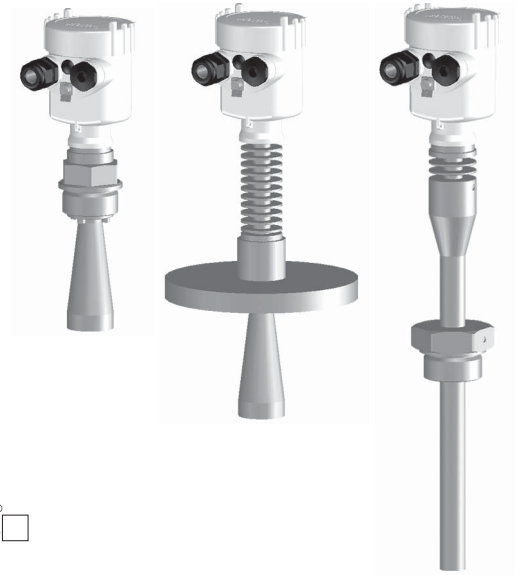


VEGAPULS 62

Radar sensor for continuous level measurement with horn antenna or mounted 1/2" standpipe (K-Band, 26GHz)

Especially suitable for storage tanks or process vessels for measurement of virtually all substances under arduous process conditions

- non-contact measurement unaffected by the process pressure, process temperature and process gas
- measurement up to 50mm to the antenna edge possible
- accuracy +/- 3mm
- ECHOFOX signal processing with Fuzzy-Logic
- adjustment with PLICSCOM, HART handheld or PC
- instrument from the plics® family





Approval

- XX** without
- XM** Ship approval
- CX** ATEX II 1G, 1/2G, 2G EEx ia IIC T6
- CA** ATEX II 1G, 1/2G, 2G EEx ia IIC T6 + WHG
- CM** ATEX II 1G, 1/2G, 2G EEx ia IIC T6 + Ship approval
- DX** ATEX II 1/2G, 2G EEx d ia IIC T6 ¹⁾

Version/Material

- B** with horn antenna ø 40 mm/1.4435(316L)
- C** with horn antenna ø 48 mm/1.4435(316L)
- D** with horn antenna ø 75 mm/1.4435(316L)
- E** with horn antenna ø 95 mm/1.4435(316L)
- F** with ½"-standpipe/1.4435(316L) ²⁾

Process connection/Material

- GA** Thread G¾A PN40/1.4435(316L) ³⁾
- NA** Thread ¾NPT PN40/1.4435(316L) ³⁾
- GD** Thread G1½A PN40/1.4435(316L)
- ND** Thread 1½NPT PN40/1.4435(316L)
- FB** Flange DN40PN40 Form C,DIN2501/1.4435(316L)
- FC** Flange DN50PN40 Form C,DIN2501/1.4435(316L)
- FD** Flange DN80PN40 Form C,DIN2501/1.4435(316L)
- FE** Flange DN100PN16 Form C,DIN2501/1.4435(316L)
- FK** Flange DN150PN16 Form C,DIN2501/1.4435(316L)
- AC** Flange 1½"150lb RF,ANSI B16.5/1.4435(316L)
- AE** Flange 2"150lb RF,ANSI B16.5/1.4435(316L)
- AI** Flange 3"150lb RF,ANSI B16.5/1.4435(316L)
- AK** Flange 4"150lb RF,ANSI B16.5/1.4435(316L)
- AM** Flange 6"150lb RF,ANSI B16.5/1.4435(316L)

Seal/Process temperature

- 2** Viton/-40...130°C
- 3** Kalrez 6375/-15...130°C
- 4** Viton/-40...200°C with temperature adapter
- 5** Kalrez Spectrum/-15...200°C w. temperature adapter

Electronics

- H** 4...20mA HART®
- V** Four wire 20...72VDC,20...250VAC/4...20mA HART® ¹⁾
- P** Profibus PA
- F** Foundation Fieldbus

Housing/Protection

- K** Plastic/IP66/IP67
- A** Aluminium/IP66
- D** Aluminium double chamber/IP66/IP67
- V** Stainless steel 1.4435(316L)/IP66/IP67

Cable entry/Plug connection

- M** M20x1.5/without
- N** ½NPT/without

Indicating-adjustment module (Plicscom)

- X** without
- A** mounted

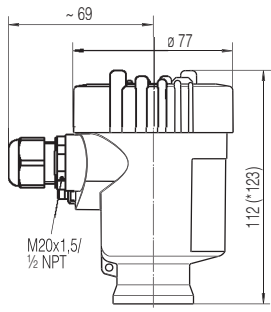
PS62.										
--------------	--	--	--	--	--	--	--	--	--	--

¹⁾ Only in conjunction with housing version "D"
²⁾ only in conjunction with seal/process temperature "4" or "5"
³⁾ only in conjunction with version "F"

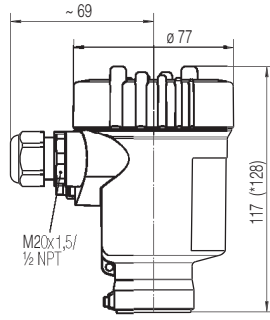
Length standpipe in mm
per 100 mm of 1.4435(316L)



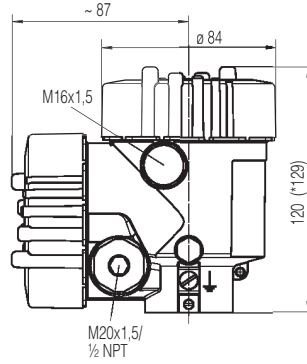
Plastic housing



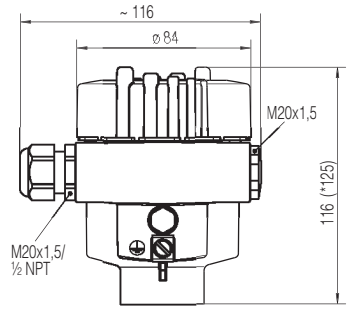
Stainless steel housing



Aluminium double chamber housing

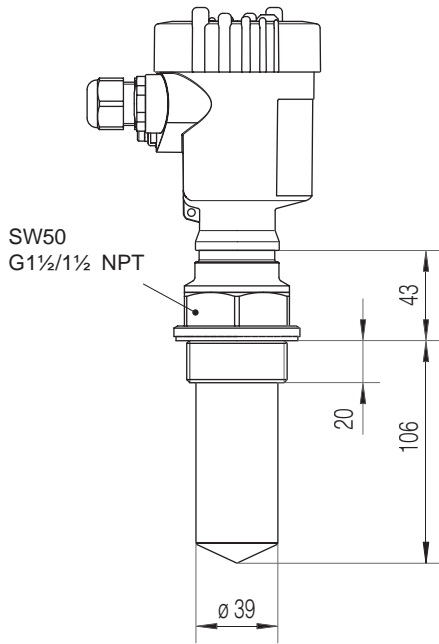


Aluminium housing

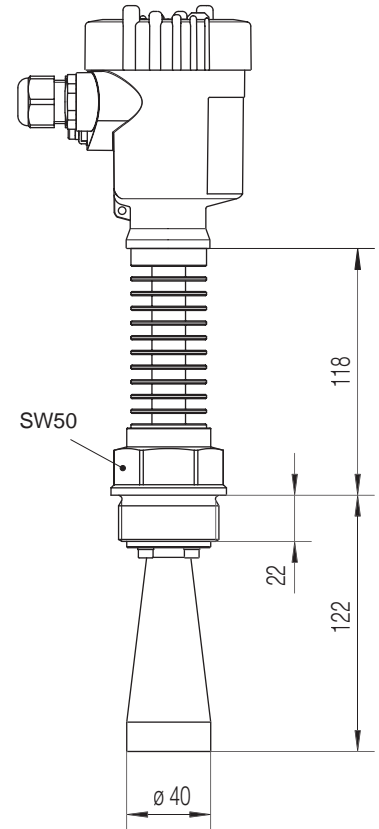
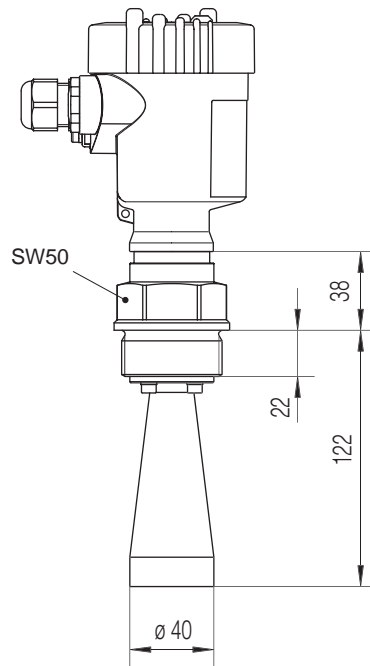


* with display

VEGAPULS 61

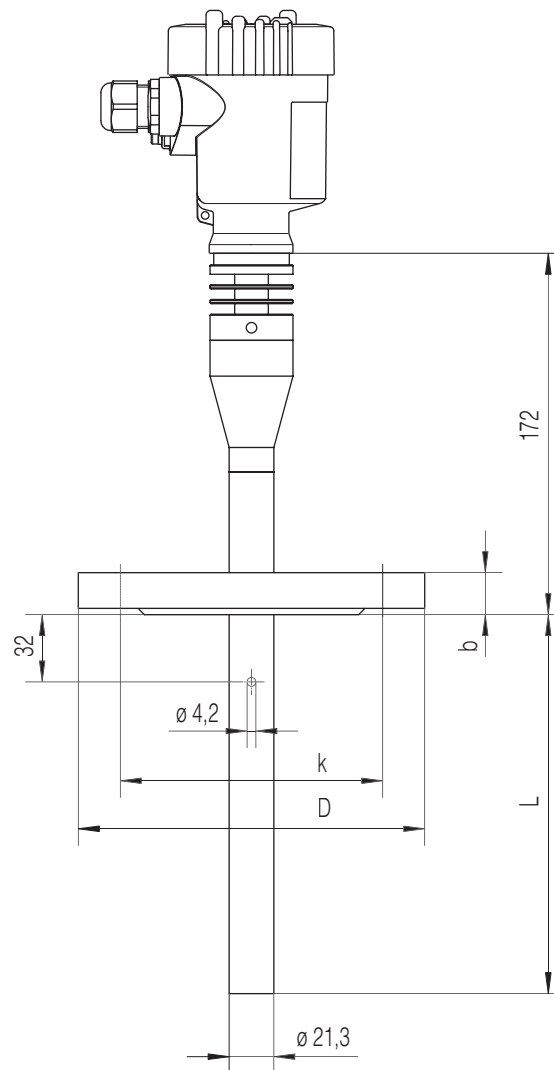
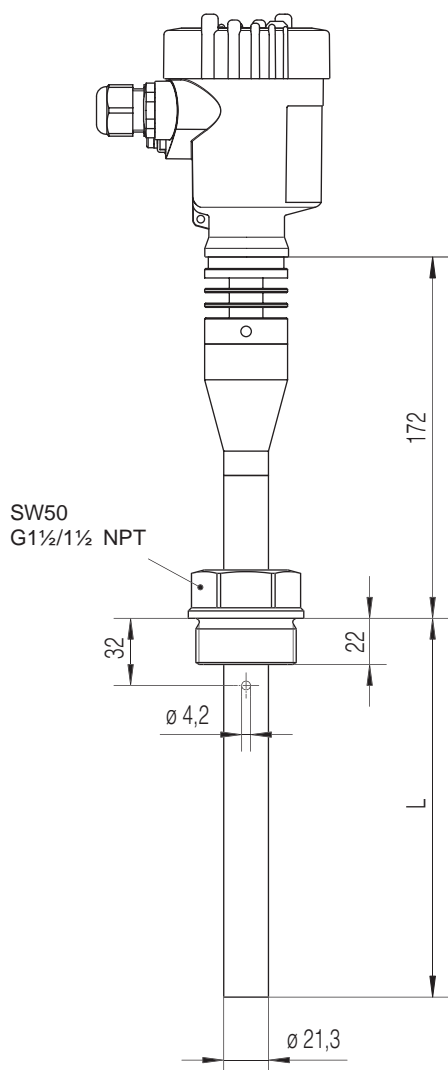


VEGAPULS 62





VEGAPULS 62 standpipe antenna



**Flange connection acc. to DIN 2501,
seal ledge acc. to DIN 2526 Form D**

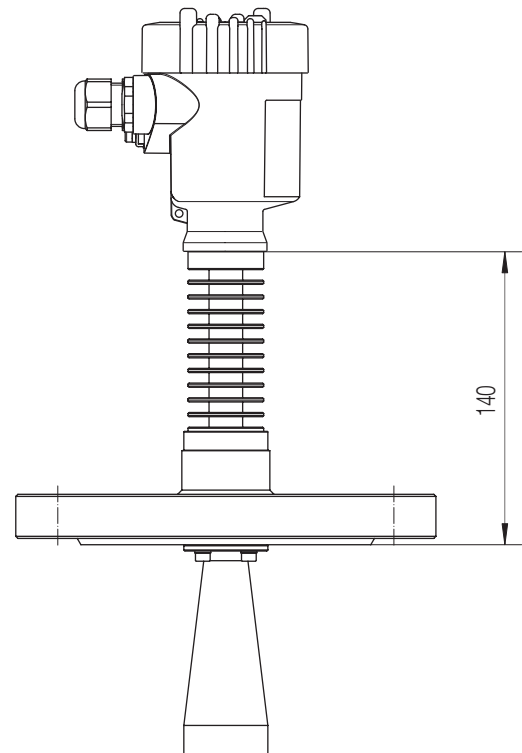
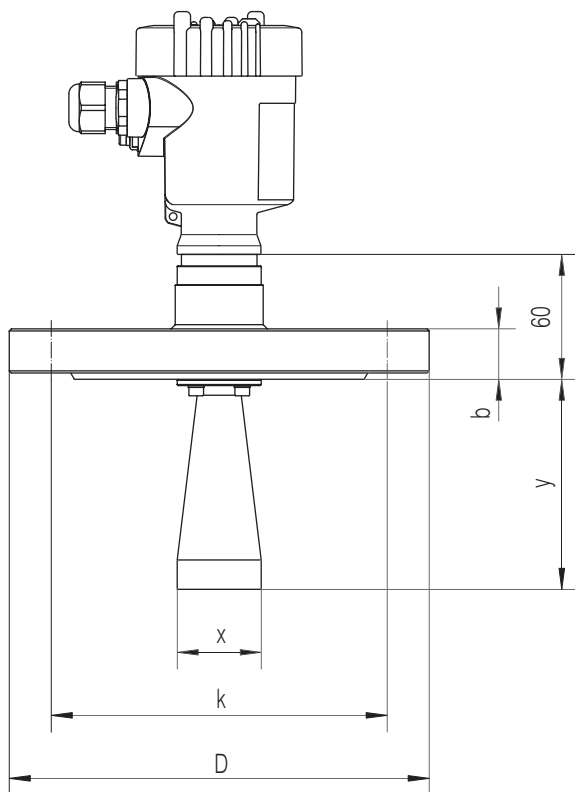
Size	Flange D	b	k	Holes No.	d ₂
DN 40 PN 40	150	18	110	4	18
DN 50 PN 40	165	20	125	4	18
DN 80 PN 40	200	24	160	8	18
DN 100 PN 16	220	20	180	8	18
DN 150 PN 16	285	22	240	8	22

**Flange connection acc. to
ANSI B16.5, RF**

Size	Flange D	b	k	Holes No.	d ₂
2" 150 lb	152,4	19,1	120,7	4	19,1
3" 150 lb	190,5	23,9	152,4	4	19,1
4" 150 lb	228,6	23,9	190,5	8	19,1
6" 150 lb	279,4	25,4	241,3	8	22,4



VEGAPULS 62 flanges



Flange connection acc. to DIN 2501, seal ledge acc. to DIN 2526 Form D

Size	Flange			Holes		Antenna	
	D	b	k	No.	d_2	x	y
DN 40 PN 40	150	18	110	4	18	40	100
DN 50 PN 40	165	20	125	4	18	48	120
DN 80 PN 40	200	24	160	8	18	75	200
DN 100 PN 16	220	20	180	8	18	95	300
DN 150 PN 16	285	22	240	8	22	95	300

Flange connection acc. to ANSI B16,5, RF

Size	Flange			Holes		Antenna	
	D	b	k	No.	d_2	x	y
2" 150 lb	152,4	19,1	120,7	4	19,1	48	120
3" 150 lb	190,5	23,9	152,4	4	19,1	75	200
4" 150 lb	228,6	23,9	190,5	8	19,1	95	300
6" 150 lb	279,4	25,4	241,3	8	22,4	95	300