

VEGAPULS 61

Radar sensor for continuous level measurement with PVDF-encapsulated antenna system (K-Band, 26GHz)

Especially suitable for small vessels for measurement of
Aggressive liquids under easy process conditions

- wetted parts: PVDF
- measurement up to 50mm to the antenna edge possible
- accuracy +/- 5mm
- ECHOFOX signal processing with Fuzzy-Logic
- adjustment with PLICSCOM, HART handheld or PC
- instrument from the plics® family





Approval

- XX** without
- XM** Ship approval
- CX** ATEX II 1G, 1/2G, 2G EEx ia IIC T6
- CA** ATEX II 1G, 1/2G, 2G EEx ia IIC T6 + WHG
- CM** ATEX II 1G, 1/2G, 2G EEx ia IIC T6 + Ship approval
- DX** ATEX II 1/2G, 2G EEx d ia IIC T6 ¹⁾

Version/Material

- A** with encapsulated horn antenna PVDF / -40°C...130°C

Process connection/Material

- GP** Thread G1½A PN3/PVDF
- NP** Thread 1½NPT PN3/PVDF
- CA** Tri-Clamp 2" PN3/1.4435(316L)
- CB** Tri-Clamp 3"/1.4435(316L)
- RA** Bolting DN50 PN3,DIN 11851 1.4435(316L)
- RB** Bolting DN80 PN3,DIN 11851 1.4435(316L)

Electronics

- H** 4...20mA HART®
- V** Four wire 20...72VDC,20...250VAC/4...20mA HART® ¹⁾
- P** Profibus PA
- F** Foundation Fieldbus

Housing/Protection

- K** Plastic/IP66/IP67
- A** Aluminium/IP66
- D** Aluminium double chamber/IP66/IP67
- V** Stainless steel 1.4435(316L)/IP66/IP67

Cable entry/Plug connection

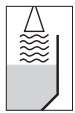
- M** M20x1.5/without
- N** ½NPT/without

Indicating-adjustment module (Plicscom)

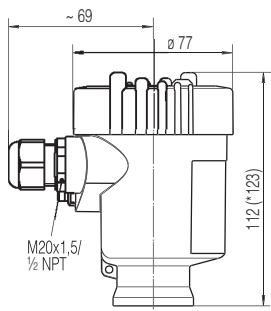
- X** without
- A** mounted



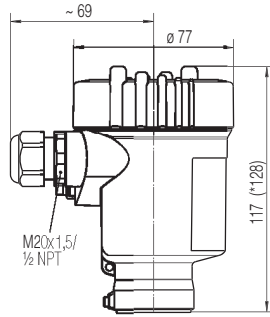
¹⁾ Only in conjunction with housing version "D"



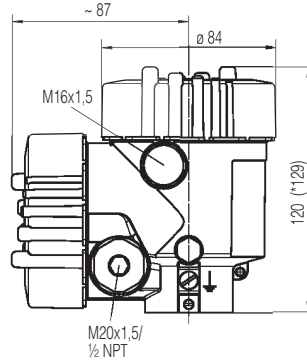
Plastic housing



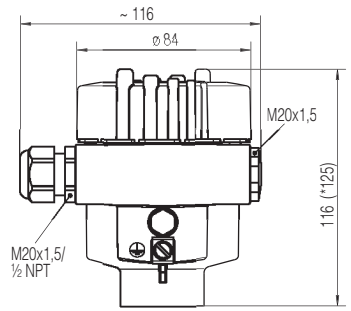
Stainless steel housing



Aluminium double chamber housing

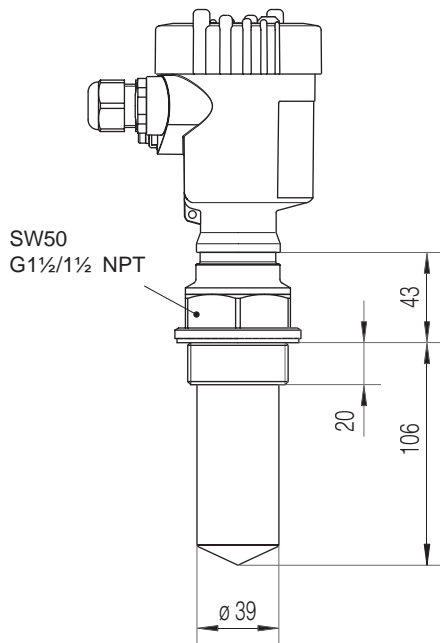


Aluminium housing



* with display

VEGAPULS 61



VEGAPULS 62

