

Flow Switch ATEX EExd IIC T6 & IS

Applications

Flameproof & IS areas
Oil & gas industries
Chemical injection systems for pipework conditioning
Cooling water monitoring
Pump performance monitoring
High pressure injection systems

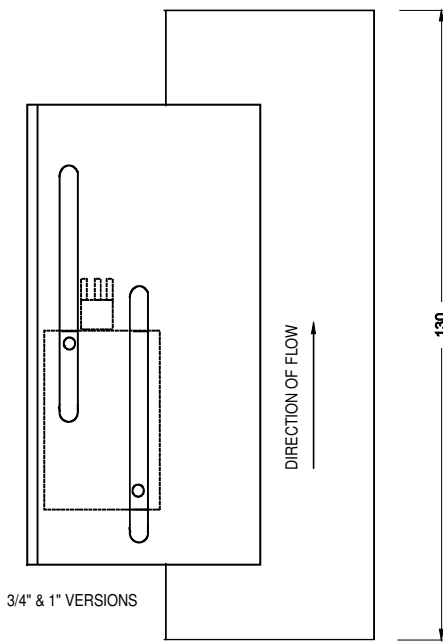
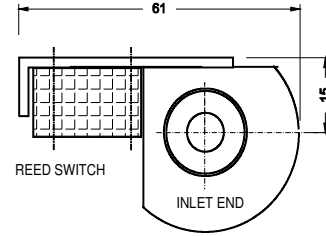
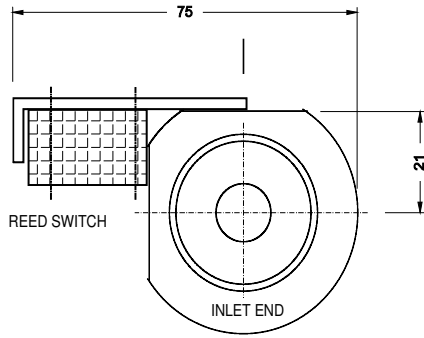
Design Features

Reliable VA configuration
Designed for Off-shore installations and chemical plants
No glands to seal or leak
Very low pressure drop
Flow tube machined from solid bar material for high pressure integrity
Stainless steel materials. Other non-ferrous materials available
Pipe mount for vertical operation
Sizes from 1/4" to 2"
Flow rates down to 0.05 litres/hr
Working pressures in excess of 700 bar g
Available with NPT BSP threaded connections, flanges or hubs

Technical Data

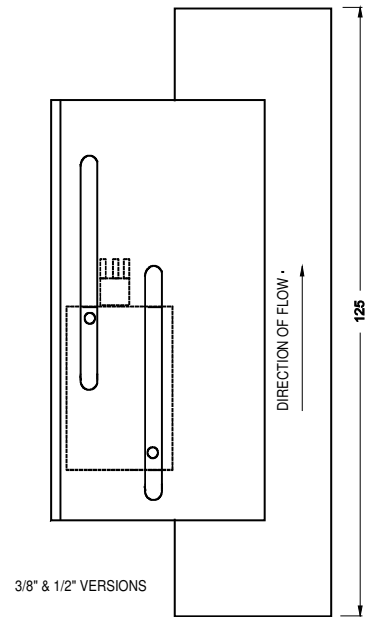
Flow ranges 0.05-2,000 l/hr. Larger flow rate versions available
Temperature range -40 to +125 deg C
Single pole change over reed switch
Switch rating 230V 0.08A 20VA max and suitable for low voltage control circuits
ATEX Switch options EExia & EExd IIC T4
Switch connection with 2m Polyrad cable
Enclosure protection IP68
316 stainless steel contact materials to EN1023 31B
Mount unit vertically with the flow upwards
Higher flow versions can be supplied on special order for horizontal flow

Series 5000 Flameproof Flow Switch Data



MOUNT VERTICALLY WITH FLOW UPWARDS

3/4" & 1" Versions



MOUNT VERTICALLY WITH FLOW UPWARDS

3/8" & 1/2" Versions